

# **BUSH HOG<sup>®</sup>**

## **LAND MAINTENANCE**

### **REPAIR PARTS MANUAL**

**MODELS: (320 SERIES) 325, 326 & 327**  
**ROTARY CUTTERS**  
**SECTION: 84**



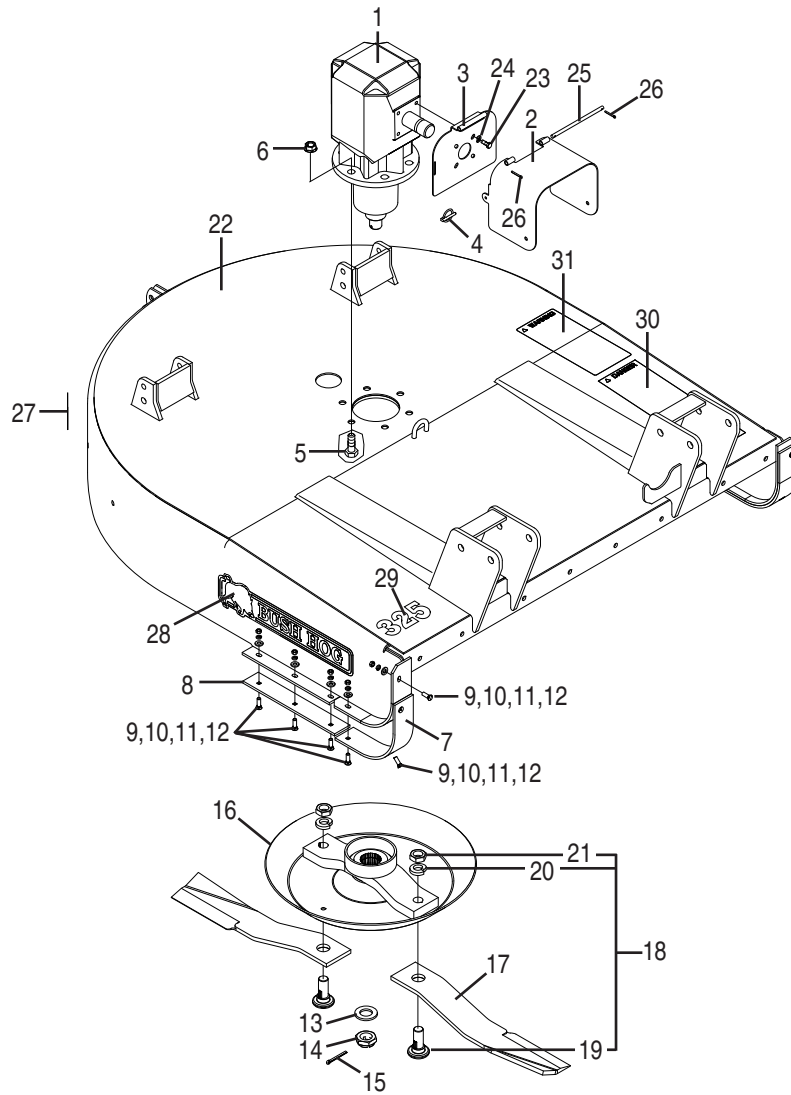
## **BUSH HOG<sup>®</sup>**

P.O. Box 1039 • Selma, AL 36702-1039  
(334) 872-6261 • (334) 874-2700  
Parts Ordering 1-800-304-2836  
Fax 1-800-572-1784  
[www.bushhog.com](http://www.bushhog.com)

# 320 SERIES ROTARY CUTTER MODELS 325, 326, 327

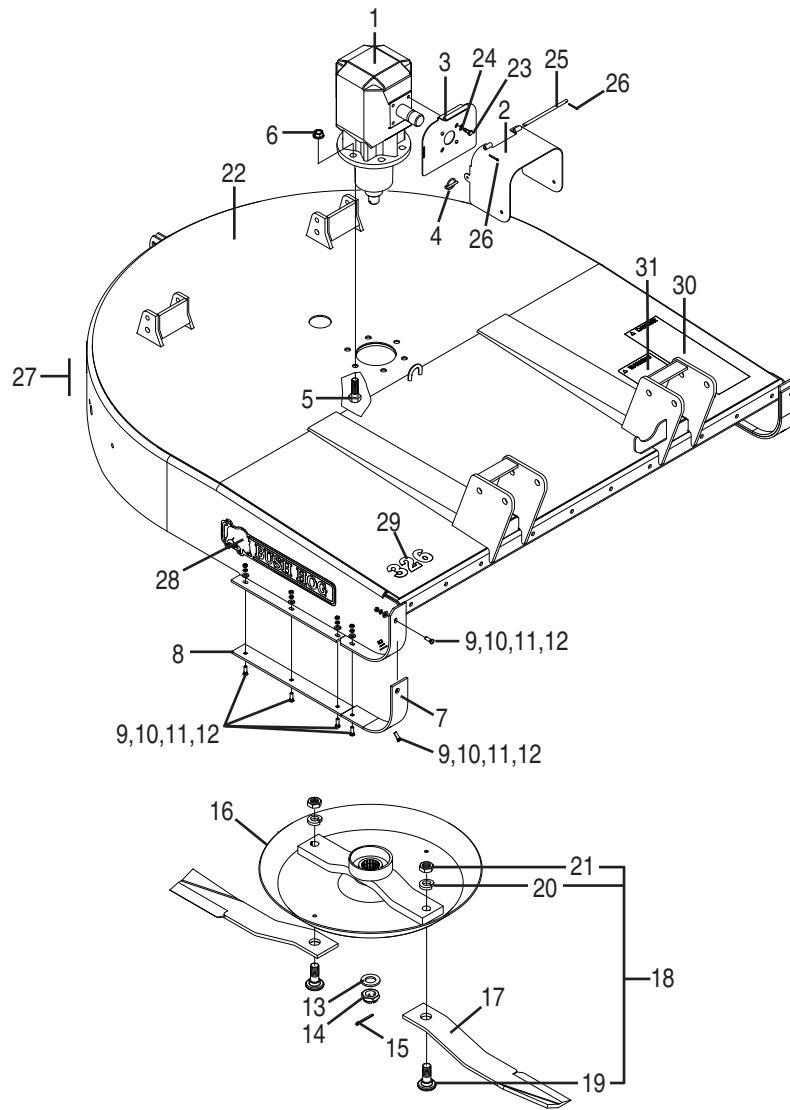
## ALPHABETICAL INDEX

<b>CONTENTS</b>	<b>PAGE</b>
Axle Arm Assembly (Pull Model) .....	84-6-2
Base Assembly, Model 325 .....	84-1-1
Base Assembly, Model 326 .....	84-1-2
Base Assembly, Model 327 .....	84-1-3
Blade & Blade Holder Assembly, Model 325 .....	84-1-1
Blade & Blade Holder Assembly, Model 326 .....	84-1-2
Blade & Blade Holder Assembly, Model 327 .....	84-1-3
Caster Assembly .....	84-5-5
Chains, Safety Front & Rear .....	84-2-1
Chains, Safety Tow .....	84-6-1
Deflectors, Safety .....	84-2-2
Driveshaft Assemblies .....	84-4-1 through 84-4-3
Decals .....	See Base Assemblies
Gearbox Assemblies .....	84-3-1 through 84-3-3
Hitch Assembly .....	84-5-1 through 84-5-3
Hydraulic Bundle .....	84-7-1
Hydraulic Cylinder .....	84-7-1
Jackshaft Assembly (Pull Model) .....	84-4-4
Jackstand Assembly .....	84-6-1
Pillow Block Assembly (Pull Model) .....	84-4-5
Ratchet Assembly .....	84-7-1
Skids .....	84-1-1 through 84-1-3
Tailwheel Assembly .....	84-5-4
Tires & Rim .....	84-5-5, 84-6-3
Tongue Assembly .....	84-6-1



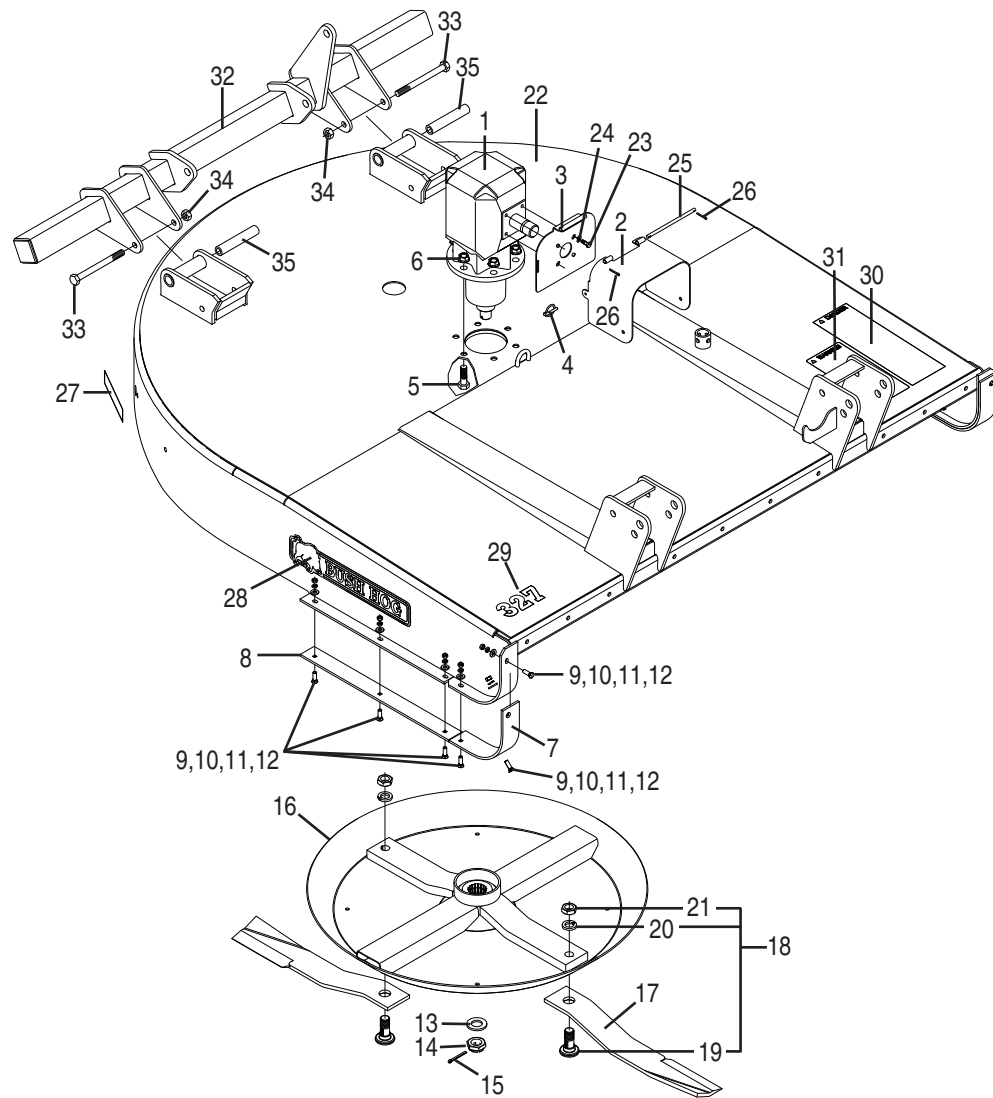
**DECK ASSEMBLY**  
For Model 325 Cutter

REF. NO.	PART NO.	QTY.	DESCRIPTION	REF. NO.	PART NO.	QTY.	DESCRIPTION
1	70996	1	Gearbox Assembly	17	7555	2	Blade, 5' Uplift
2	50029748	1	Shield Weldment	18	63607	2	Blade Bolt Kit (Items 19-21)
3	50029749	1	Shield Mount Weldment	19	7919	2	Blade Bolt
4	20312	1	Lynch Pin	20	20322	2	Lockwasher 1-1/8"
5	—	6	Capscrew 3/4" x 2-1/4" Gr.5	21	252	2	Jam Nut 1-1/8"
6	20299	6	Locknut 3/4" Flanged	22	50058077	1	Deck Assy. with Decals
7	50050587	2	Front Skid Shoe	23	50018166	4	Capscrew M10 x 1.5 x 25
8	50055348	2	Rear Skid Shoe	24	44198	4	Lockwasher M10
9	3161212	12	Plow Bolt 3/8" x 1-1/4"	25	50029752	1	Hinge Pin
10	—	12	Flatwasher 3/8"	26	—	2	Cotter Pin 1/8" x 1" ZP
11	—	12	Lockwasher 3/8"		50055369	1	Decal Kit, 325 (Items 27-31)
12	—	12	Hex Nut 3/8"	27	50031213	2	Red Reflector, 2 x 4.5
13	76664	1	Blank Washer	28	50061049	2	Bush Hog Decal
14	70418	1	Castle Nut M36 x 3	29	50055346	1	Model Decal
15	70419	1	Cotter Pin B6 x70	30	50029417	1	Sheet Decal
16	50057347	1	Blade Pan Weldment	31	50029419	1	Sheet Decal



**DECK ASSEMBLY**  
For Model 326 Cutter

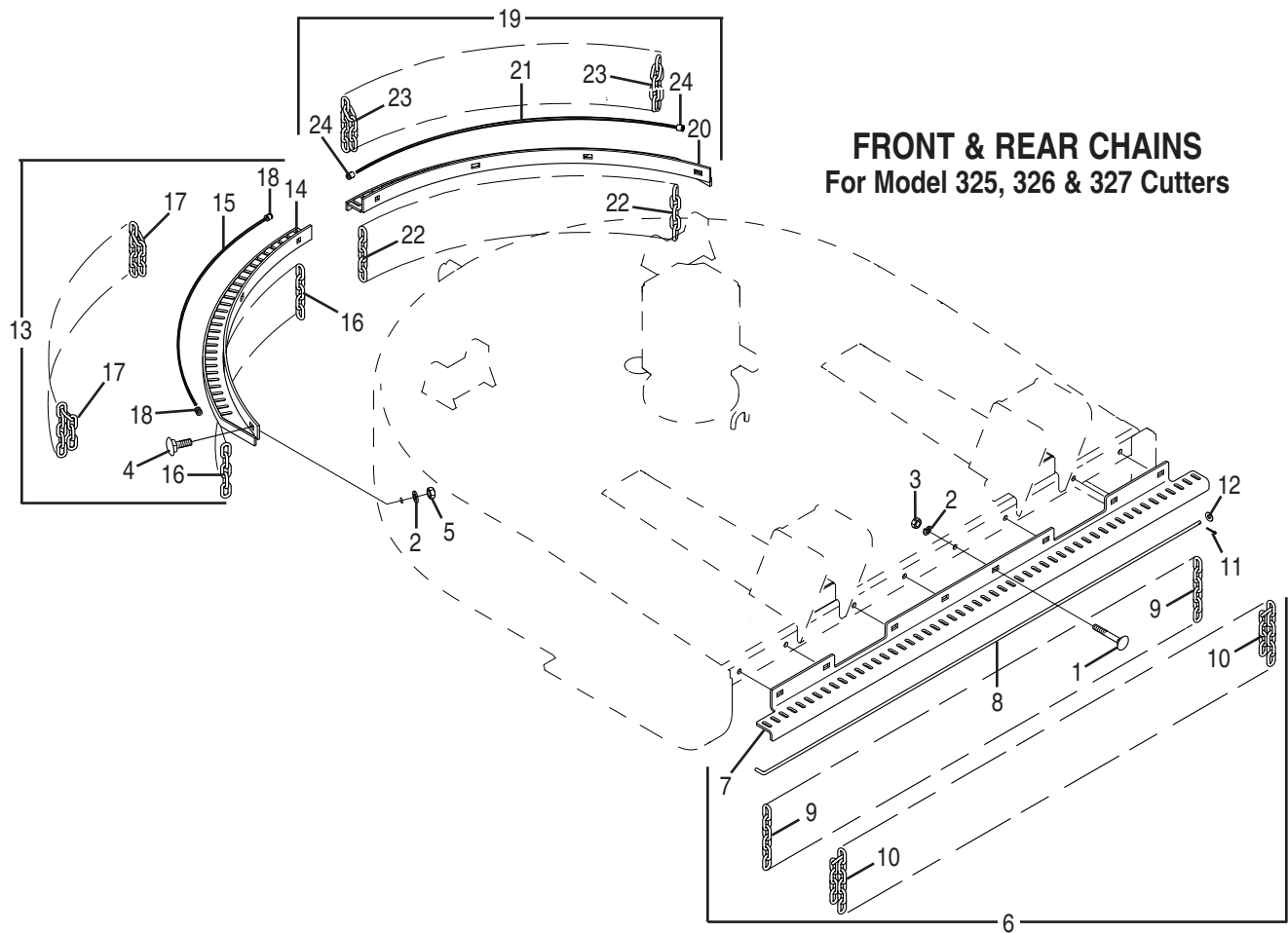
REF. NO.	PART NO.	QTY.	DESCRIPTION	REF. NO.	PART NO.	QTY.	DESCRIPTION
1	71537	1	Gearbox Assembly	17	7556	2	Blade, 6' Uplift
2	50029748	1	Shield Weldment	18	63607	2	Blade Bolt Kit (Items 19-21)
3	50029749	1	Shield Mount Weldment	19	7919	2	Blade Bolt
4	20312	1	Lynch Pin	20	20322	2	Lockwasher 1-1/8"
5	—	6	Capscrew 3/4" x 2-1/2" Gr.5	21	252	2	Jam Nut 1-1/8"
6	20299	6	Locknut 3/4" Flanged	22	50050633	1	Deck Assy. with Decals
7	50050587	2	Front Skid Shoe	23	50018166	4	Capscrew M10 x 1.5 x 25
8	50050588	2	Rear Skid Shoe	24	44198	4	Lockwasher M10
9	3161212	12	Plow Bolt 3/8" x 1-1/4"	25	50029752	1	Hinge Pin
10	—	12	Flatwasher 3/8"	26	—	2	Cotter Pin 1/8" x 1" ZP
11	—	12	Lockwasher 3/8"		50050632	1	Decal Kit, 326 (Items 27-31)
12	—	12	Hex Nut 3/8"	27	50031213	2	Red Reflector, 2 x 4.5
13	76664	1	Blank Washer	28	50061049	2	Bush Hog Decal
14	70418	1	Castle Nut M36 x 3	29	50050585	1	Model Decal
15	70419	1	Cotter Pin B6 x70	30	50029417	1	Sheet Decal
16	50057117	1	Blade Pan Weldment	31	50029419	1	Sheet Decal



**DECK ASSEMBLY**  
For Model 327 Cutter

REF. NO.	PART NO.	QTY.	DESCRIPTION	REF. NO.	PART NO.	QTY.	DESCRIPTION
1	70995	1	Gearbox Assembly	19	7919	2	Blade Bolt
2	50029748	1	Shield Weldment	20	20322	2	Lockwasher 1-1/8"
3	50029749	1	Shield Mount Weldment	21	252	2	Jam Nut 1-1/8"
4	20312	1	Lynch Pin	22	50055334	1	Deck Assy. with Decals
5	—	6	Capscrew 3/4" x 2-1/2" Gr.5	23	50018166	4	Capscrew M10 x 1.5 x 25
6	20299	6	Locknut 3/4" Flanged	24	44198	4	Lockwasher M10
7	50050587	2	Front Skid Shoe	25	50029752	1	Hinge Pin
8	50055295	2	Rear Skid Shoe	26	—	2	Cotter Pin 1/8" x 1" ZP
9	3161212	12	Plow Bolt 3/8" x 1-1/4"	50055336	1	Decal Kit, 327 (Items 27-31)	
10	—	12	Flatwasher 3/8"	27	50031214	2	Red Reflector, 2 x 4.5
11	—	12	Lockwasher 3/8"	28	50061049	2	Bush Hog Decal
12	—	12	Hex Nut 3/8"	29	50055293	1	Model Decal
13	76664	1	Blank Washer	30	50029417	1	Sheet Decal
14	70418	1	Castle Nut M36 x 3	31	50029419	1	Sheet Decal
15	70419	1	Cotter Pin B6 x70	32	50055296	1	Axle Weldment
16	50058001	1	Blade Pan Weldment	33	20908	2	Capscrew 3/4" x 8-1/2" Gr.5
17	7556	2	Blade, 6' Uplift	34	20638	2	Locknut 3/4"
18	63607	2	Blade Bolt Kit (Items 19-21)	35	50055335	2	Pivot Bushing

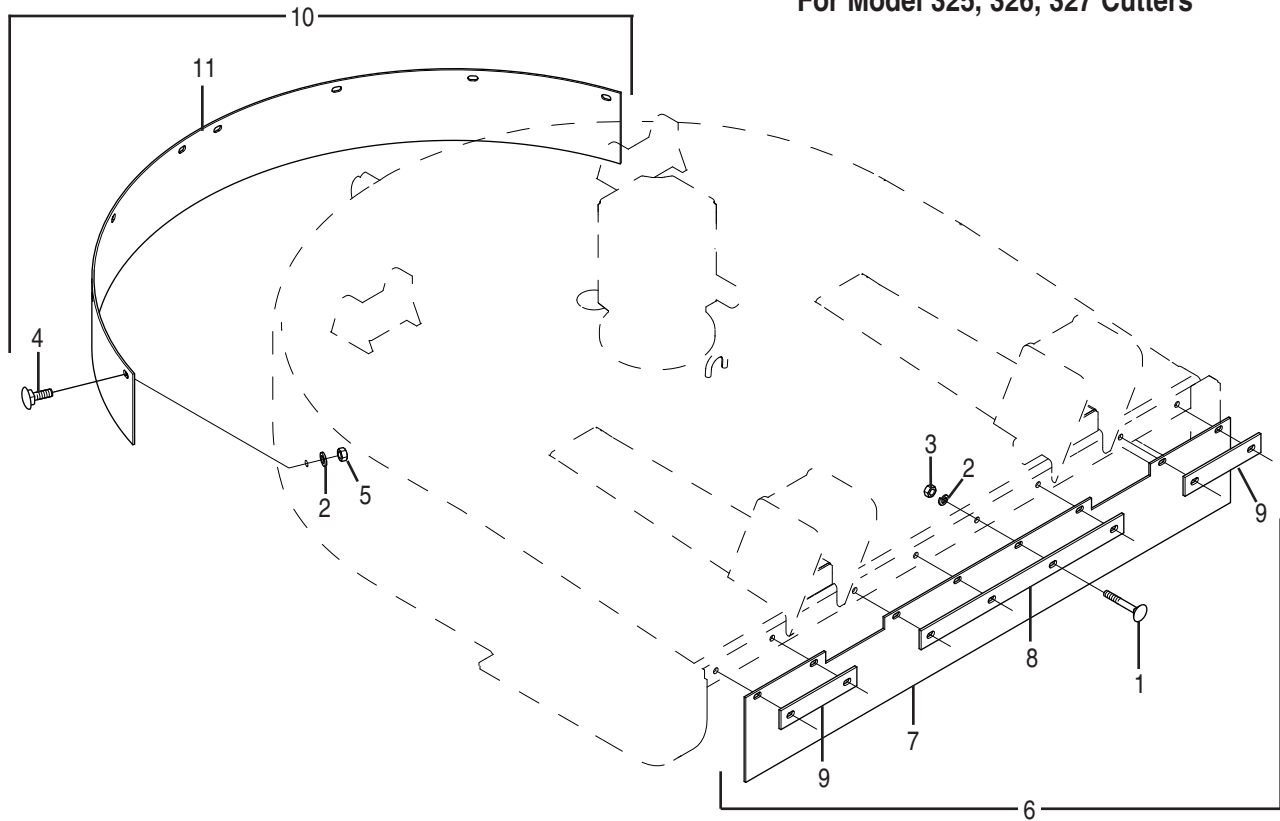




**FRONT & REAR CHAINS**  
For Model 325, 326 & 327 Cutters

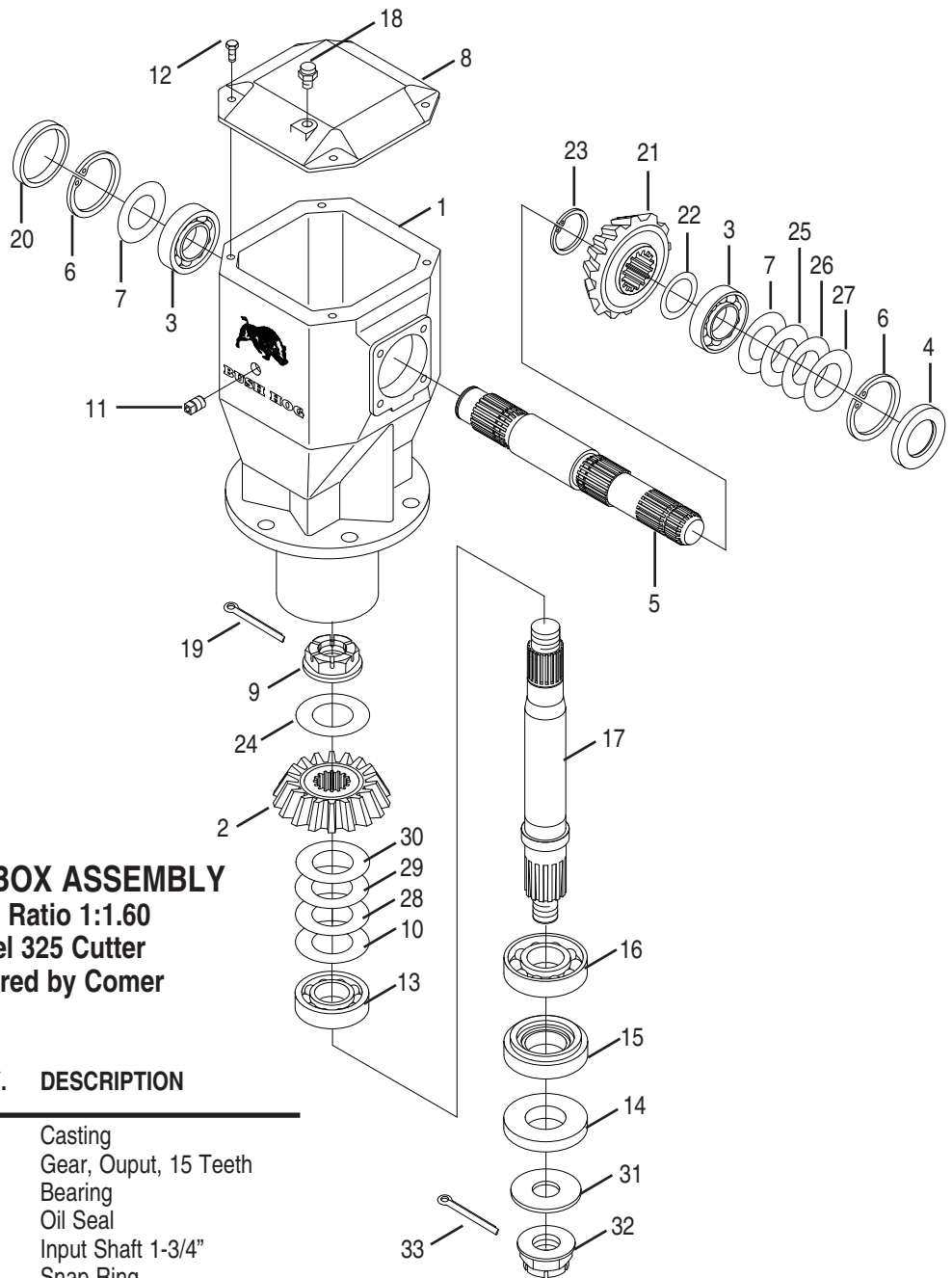
Ref. No.	Part No.			Qty.			Description
	5' 325	6' 326	7' 327	5' 325	6' 326	7' 327	
1	5161640	5161640	5161640	8	10	10	Carriage Bolt 1/2" x 4"
2	—	—	—	16	20	20	Lockwasher 1/2"
3	—	—	—	8	10	10	Hex Nut 1/2"
4	5161612	5161612	5161612	8	10	10	Carriage Bolt 1/2" x 1-1/4"
5	15554	15554	15554	8	10	10	Locknut 1/2"
6	<b>50058060</b>	<b>50050654</b>	<b>50055319</b>	1	1	1	<b>Front Chain Assy. (Single Row)</b>
	<b>50058071</b>	<b>50055272</b>	<b>50055331</b>	1	1	1	<b>Front Chain Assy. (Double Row)</b>
7	50058061	50050655	50055323	1	1	1	Chain Bracket
8	50058062	50050656	50055324	1	1	1	Retainer Rod
9	50017211	50017211	50017211	52	62	72	Chain, 6 Link
10	50017213	50017213	50017213	52	62	72	Chain, 11 Link
11	15662	15662	15662	1	1	1	Cotter Pin 1/8" x 1"
12	—	—	—	1	1	1	Flatwasher 3/8"
13	<b>50058064</b>	<b>50050646</b>	<b>50055318</b>	1	1	1	<b>R.H.Rear Chain Assy. (Single Row)</b>
	<b>50058073</b>	<b>50055270</b>	<b>50055332</b>	1	1	1	<b>R.H.Rear Chain Assy. (Double Row)</b>
14	50058066	50050650	50055321	1	1	1	R.H.Rear Chain Weldment
15	50058070	50050648	50055322	1	1	1	Chain Cable, Rear
16	50017264	50017264	50017264	29	35	40	Chain, Plated
17	50029803	50029803	50029803	29	35	40	Chain, 9 Link
18	50050408	50050408	50050408	2	2	2	Stop Sleeve
19	<b>50058063</b>	<b>50050647</b>	<b>50055317</b>	1	1	1	<b>L.H.Rear Chain Assy. (Single Row)</b>
	<b>50058072</b>	<b>50055271</b>	<b>50055333</b>	1	1	1	<b>L.H.Rear Chain Assy. (Double Row)</b>
20	50058065	50050649	50055320	1	1	1	L.H.Rear Chain Weldment
21	50058070	50050648	50055322	1	1	1	Chain Cable, Rear
22	50017264	50017264	50017264	29	35	40	Chain, Plated
23	50029803	50029803	50029803	29	35	40	Chain, 9 Link
24	50050408	50050408	50050408	2	2	2	Stop Sleeve

### FRONT & REAR DEFLECTORS For Model 325, 326, 327 Cutters



Ref. No.	Part No.			Qty.			Description
	5' 325	6' 326	7' 327	5' 325	6' 326	7' 327	
1	5161640	5161640	5161640	8	10	10	Carriage Bolt 1/2" x 4"
2	—	—	—	16	20	20	Lockwasher 1/2"
3	—	—	—	8	10	10	Hex Nut 1/2"
4	5161612	5161612	5161612	8	10	10	Carriage Bolt 1/2" x 1-1/4"
5	15554	15554	15554	8	10	10	Locknut 1/2"
<b>6</b>	<b>50055365</b>	<b>50050635</b>	<b>50055308</b>	<b>1</b>	<b>1</b>	<b>1</b>	<b>Front Deflector Kit</b>
7	50058074	50050642	50055312	1	1	1	Belting
8	50050641	50050641	50055311	1	1	1	Belting Clamp, Center
9	50058075	50050640	50055310	2	2	2	Belting Clamp, Side
<b>10</b>	<b>50055366</b>	<b>50050636</b>	<b>50055309</b>	<b>1</b>	<b>1</b>	<b>1</b>	<b>Rear Deflector Kit</b>
11	50058076	50050638	50055313	1	1	1	Rear Band



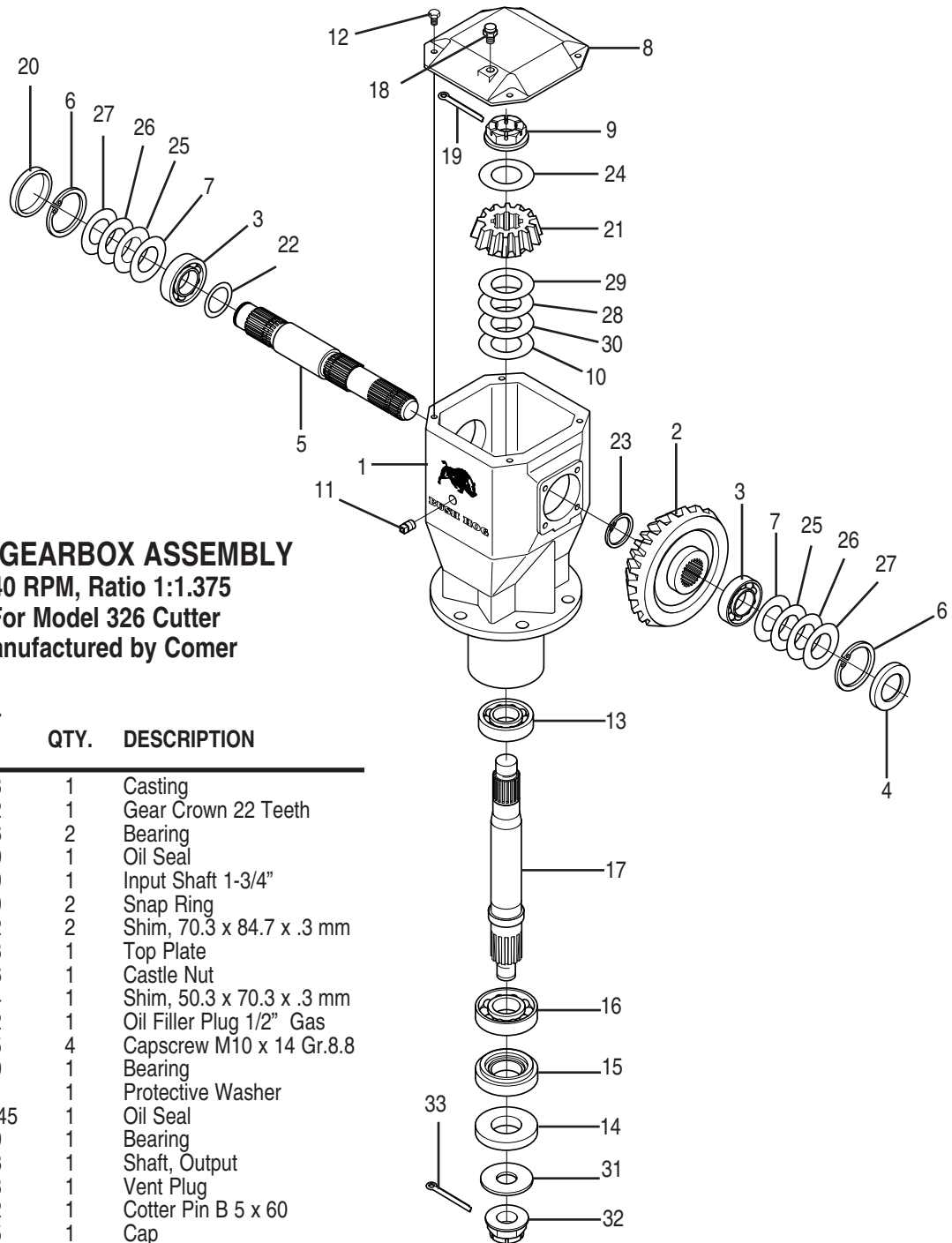


**70996 GEARBOX ASSEMBLY**  
**540 RPM, Ratio 1:1.60**  
**For Model 325 Cutter**  
**Manufactured by Comer**

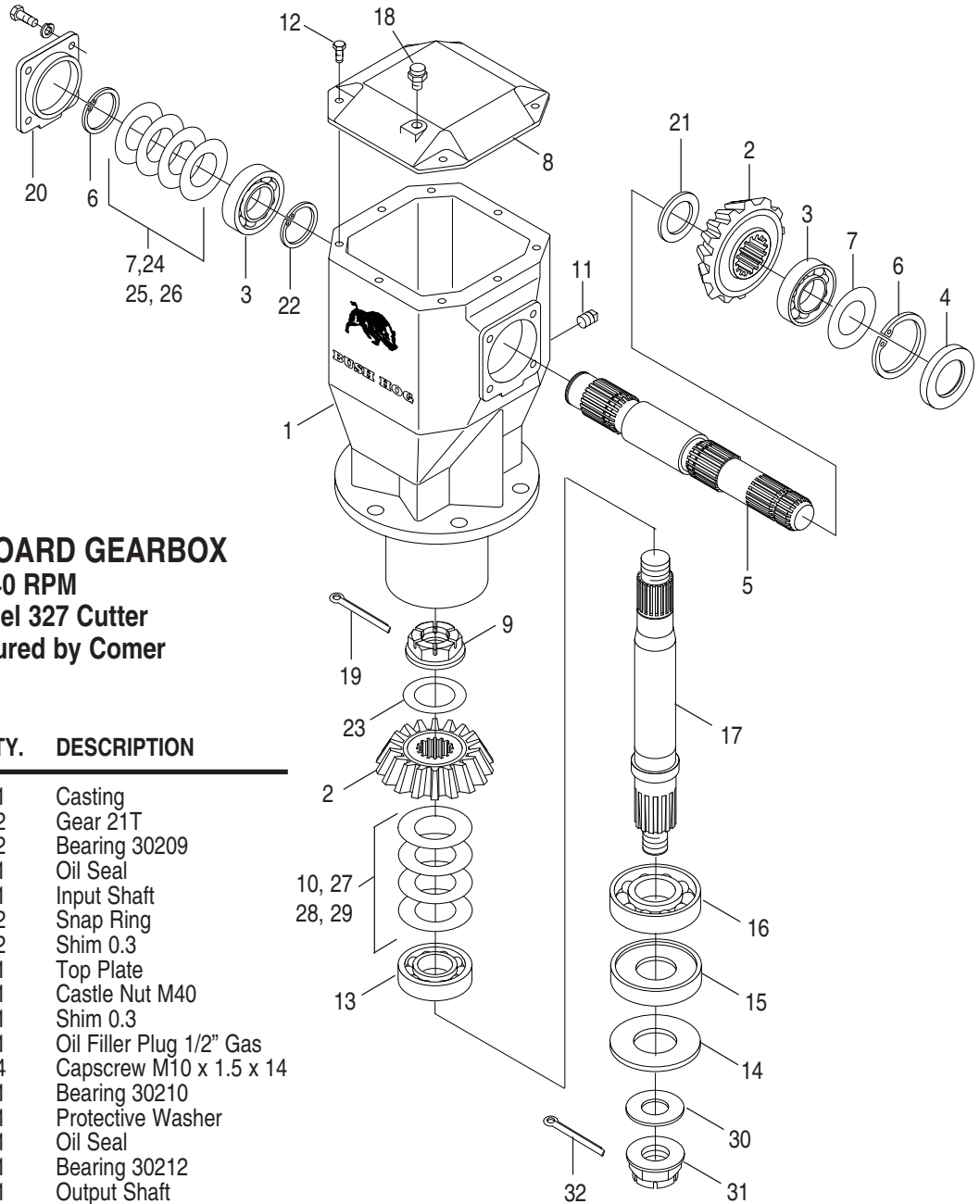
REF. NO.	PART NO.	QTY.	DESCRIPTION
1	76658	1	Casting
2	76665	1	Gear, Ouput, 15 Teeth
3	70796	2	Bearing
4	70190	1	Oil Seal
5	76659	1	Input Shaft 1-3/4"
6	70189	2	Snap Ring
7	70752	2	Shim .3mm
8	76660	1	Top Plate
9	70586	1	Castle Nut
10	70344	1	Shim .3mm
11	70292	1	Oil Filler Plug 1/2" Gas
12	44595	4	Capscrew M10 x 14 Gr.8.8
13	70800	1	Bearing
14	76661	1	Protective Washer
15	50062245	1	Oil Seal
16	70410	1	Bearing
17	76663	1	Shaft, Output
18	80538	1	Vent Plug
19	70585	1	Cotter Pin
20	70725	1	Cap
21	76666	1	Gear, Input, 24 Teeth

REF. NO.	PART NO.	QTY.	DESCRIPTION
22	70740	1	Spacer
23	70722	1	Snap Ring
24	76634	1	Shim, 1mm
25	70753	1	Shim, .4mm
26	70754	1	Shim, .5mm
27	70755	1	Shim, 1mm
28	70345	1	Shim, .5mm
29	70346	1	Shim, 1mm
30	70347	1	Shim, .4mm
31	76664	1	Blank Washer
32	70418	1	Castle Nut M36
33	70419	1	Cotter Pin

**71537 GEARBOX ASSEMBLY**  
**540 RPM, Ratio 1:1.375**  
**For Model 326 Cutter**  
**Manufactured by Comer**



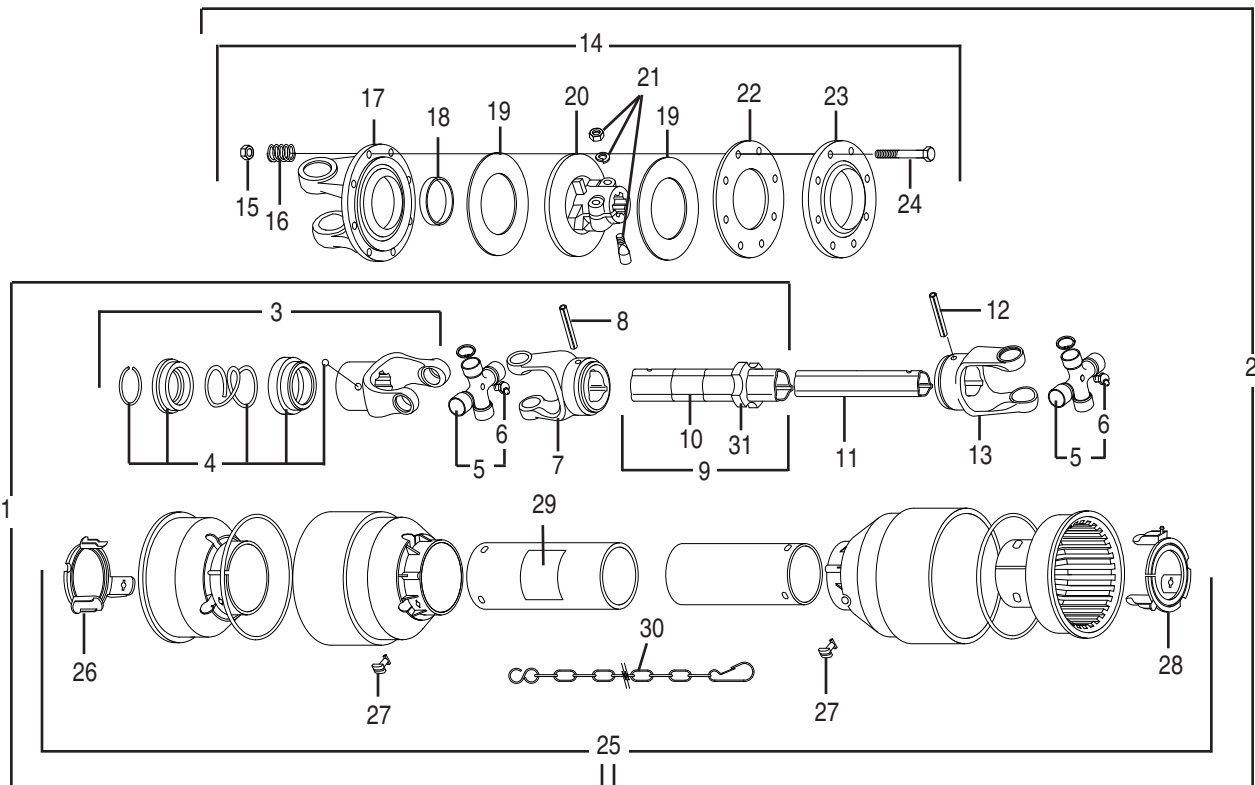
REF. NO.	PART NO.	QTY.	DESCRIPTION
1	76658	1	Casting
2	76822	1	Gear Crown 22 Teeth
3	70796	2	Bearing
4	70190	1	Oil Seal
5	76659	1	Input Shaft 1-3/4"
6	70189	2	Snap Ring
7	70752	2	Shim, 70.3 x 84.7 x .3 mm
8	71538	1	Top Plate
9	70586	1	Castle Nut
10	70344	1	Shim, 50.3 x 70.3 x .3 mm
11	70292	1	Oil Filler Plug 1/2" Gas
12	44595	4	Capscrew M10 x 14 Gr.8.8
13	70800	1	Bearing
14	76661	1	Protective Washer
15	50062245	1	Oil Seal
16	70410	1	Bearing
17	76663	1	Shaft, Output
18	80538	1	Vent Plug
19	71492	1	Cotter Pin B 5 x 60
20	70725	1	Cap
21	76824	1	Gear Pinion 16 Teeth
22	70740	1	Shim, 45.3 x 65.3 x 2.5 mm
23	70722	1	Snap Ring
24	76634	1	Shim, 40.3 x 61.7 x 1 mm
25	70753	2	Shim, 70.3 x 84.7 x .4 mm
26	70754	2	Shim, 70.3 x 84.7 x .5 mm
27	70755	2	Shim, 70.3 x 84.7 x 1 mm
28	70345	1	Shim, 50.3 x 70.3 x .5 mm
29	70346	1	Shim, 50.3 x 70.3 x 1 mm
30	70347	1	Shim, 50.3 x 70.3 x .4 mm
31	76664	1	Blank Washer
32	70418	1	Castle Nut M36
33	70419	1	Cotter Pin



**70995 OUTBOARD GEARBOX**  
**540 RPM**  
**For Model 327 Cutter**  
**Manufactured by Comer**

REF. NO.	PART NO.	QTY.	DESCRIPTION
1	76658	1	Casting
2	70960	2	Gear 21T
3	70796	2	Bearing 30209
4	70190	1	Oil Seal
5	76659	1	Input Shaft
6	70189	2	Snap Ring
7	70752	2	Shim 0.3
8	76660	1	Top Plate
9	70586	1	Castle Nut M40
10	70344	1	Shim 0.3
11	70292	1	Oil Filler Plug 1/2" Gas
12	44595	4	Capscrew M10 x 1.5 x 14
13	70800	1	Bearing 30210
14	76661	1	Protective Washer
15	50062245	1	Oil Seal
16	70410	1	Bearing 30212
17	76663	1	Output Shaft
18	80538	1	1/2" Gas Plug
19	70585	1	Cotter Pin
20	70725	1	Cap
21	70740	1	Spacer
22	70722	1	Snap Ring
23	76634	1	Shim 1.0
24	70753	2	Shim .4
25	70754	2	Shim .5
26	70755	2	Shim 1.0
27	70345	1	Shim .5
28	70346	1	Shim 1.0
29	70347	1	Shim .4
30	76664	1	Blank Washer
31	70418	1	Castle Nut
32	70419	1	Cotter Pin





**5005070 DRIVELINE ASSEMBLY**

1-3/8" – 6 Spline – 540 RPM, ASAE Size 5

Mfd. by Comer/EG

Used on 325 Cutter

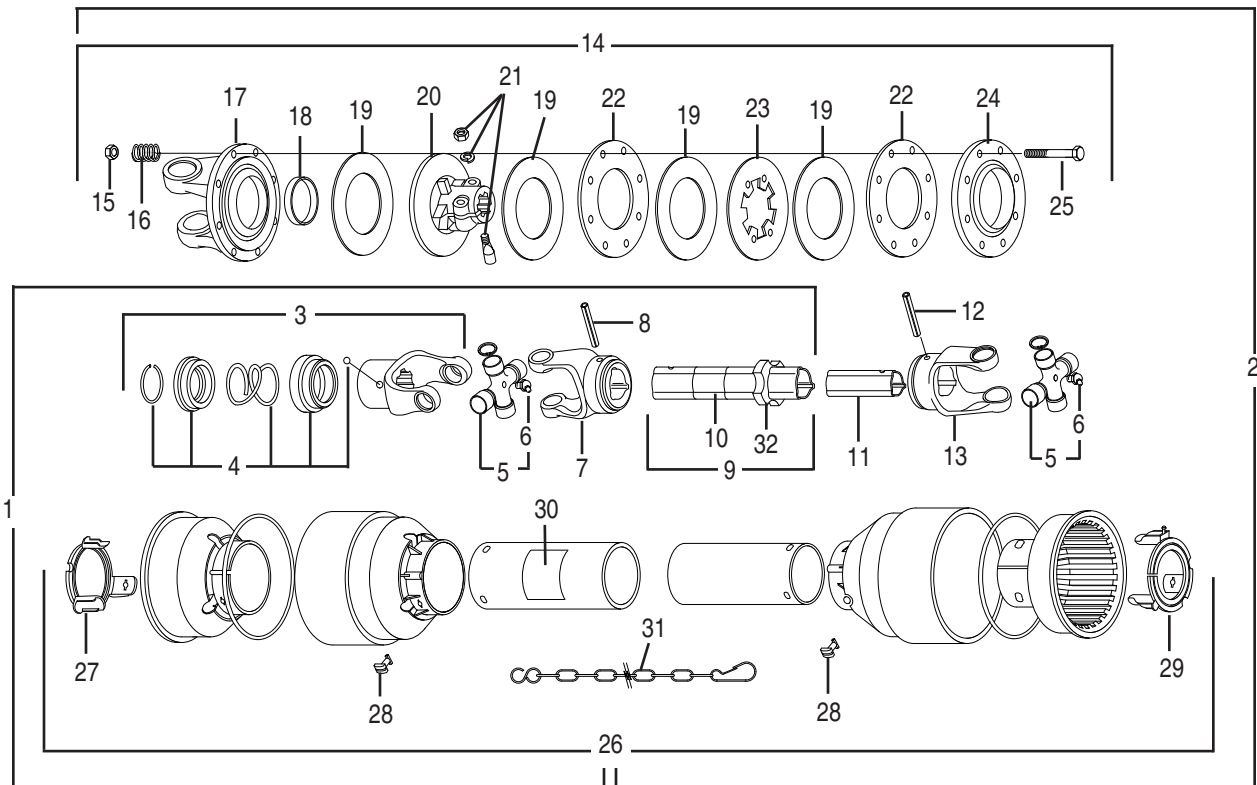
**5005071 DRIVELINE ASSEMBLY**

1-3/8" – 6 Spline – 540 RPM, ASAE Size 5

Mfd. by Comer/EG

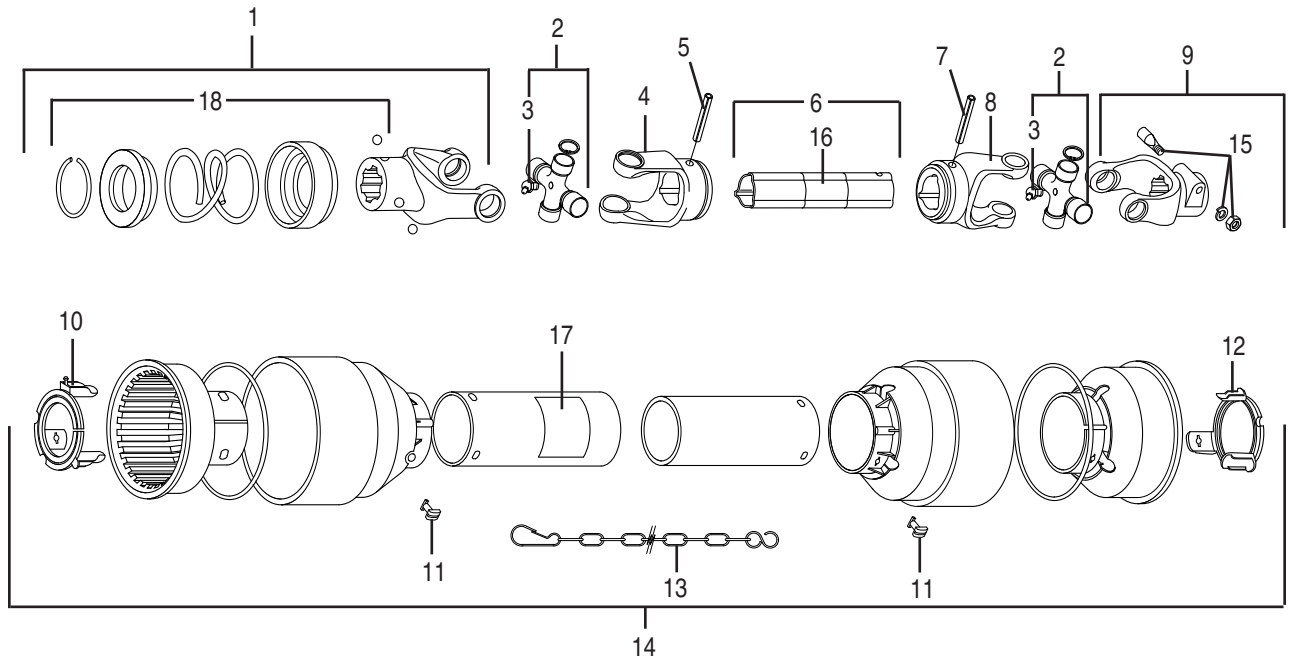
Used on 326 Cutter

REF. NO.	PART NO.	QTY.	DESCRIPTION	REF. NO.	PART NO.	QTY.	DESCRIPTION
1	50060373	1	Outer Half w/Shield (50050570)	15	44154	8	Locknut M10 x 1.5
	50060378	1	Outer Half w/Shield (50050571)	16	76080	8	Spring
2	50060374	1	Inner Half w/Shield (50050570)	17	76331	1	Flanged Yoke
	50060379	1	Inner Half w/Shield (50050571)	18	76082	1	Bushing
3	76803	1	Complete Collar Yoke	19	76083	2	Lining
4	50017480	1	Ball Collar Kit	20	76309	1	Clutch Support
5	76998	2	Cross Journal Set	21	76247	1	Taper Pin Kit
6	76335	2	Grease Fitting	22	76085	1	Inner Plate
7	78134	1	Outer Yoke	23	76086	1	Pressure Plate
8	67108	1	Roll Pin Outer Yoke	24	44155	8	Capscrew, M10 x 1.5 x 85
9	50060371	1	Outer Tube (50050570)	25	50060372	1	Complete Shield (50050570)
	50060375	1	Outer Tube (50050571)		50060377	1	Complete Shield (50050571)
10	78786	1	Danger Decal	26	50056403	1	Outer Bearing
11	78132	1	Inner Tube (50050570)	27	50056404	6	Shield Bolt
	50060376	1	Inner Tube (50050571)	28	50056405	1	Inner Bearing
12	67085	1	Roll Pin Inner Tube	29	78608	1	Danger Decal
13	67086	1	Inner Yoke	30	64814	2	Safety Chain
14	76999	1	Slip Clutch Assy. (Items 15-24)	31	76274	1	Bush With Grease Fitting



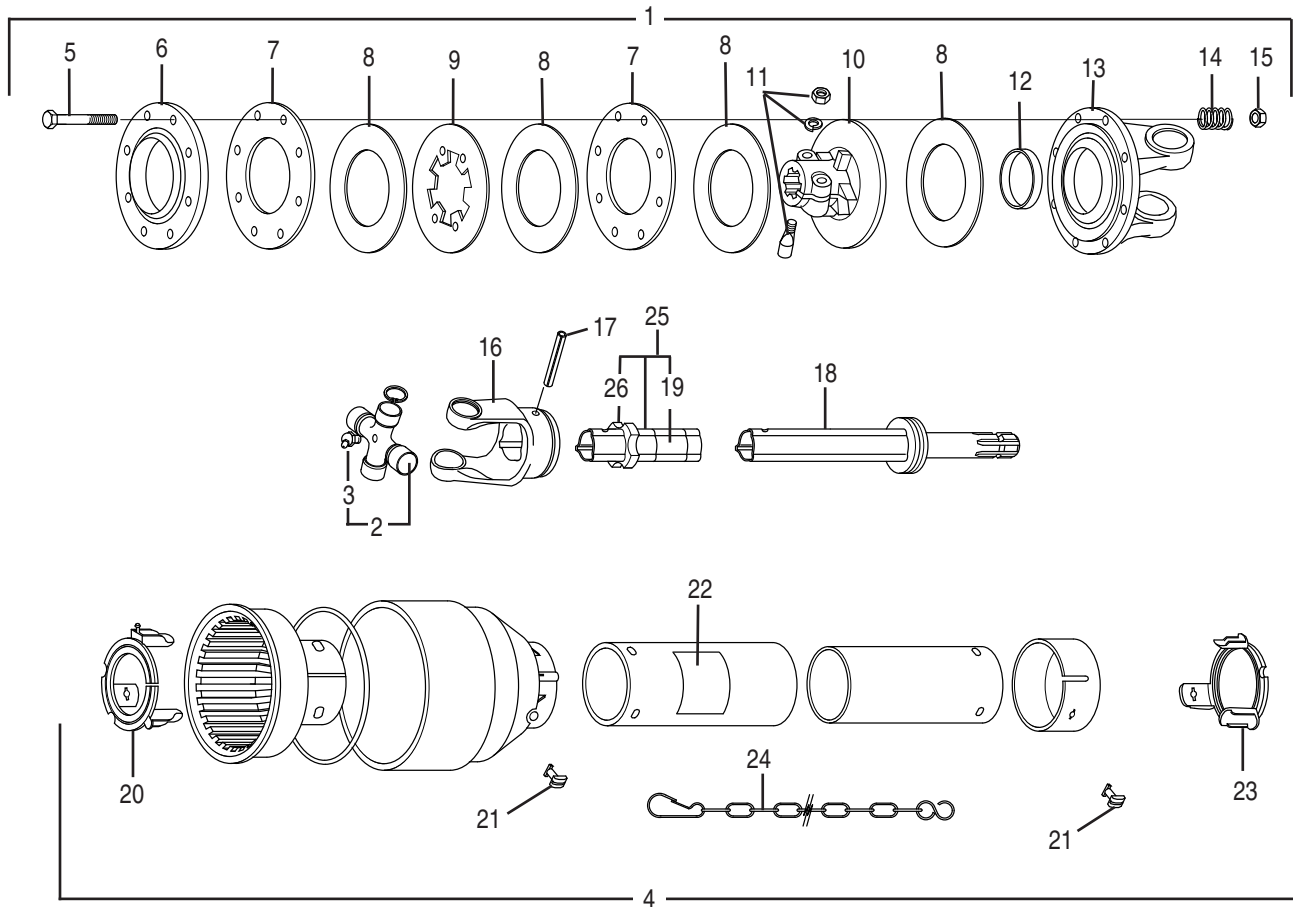
**50050572 DRIVELINE ASSEMBLY**  
**1-3/8" – 6 Spline – 540 RPM, ASAE Size 5**  
**Mfd. by Comer/EG**  
**Used on 327 Cutter (Lift Model)**

REF. NO.	PART NO.	QTY.	DESCRIPTION	REF. NO.	PART NO.	QTY.	DESCRIPTION
1	50060378	1	Outer Half w/Shield	17	76331	1	Flanged Yoke
2	50060380	1	Inner Half w/Shield	18	76082	1	Bushing
3	76803	1	Complete Collar Yoke	19	76083	4	Lining
4	50017480	1	Ball Collar Kit	20	76458	1	Clutch Support
5	76998	2	Cross Journal Set	21	76247	1	Taper Pin Kit
6	76335	2	Grease Fitting	22	76085	2	Inner Plate
7	78134	1	Outer Yoke	23	76197	1	Intermediate Plate
8	67108	1	Roll Pin Outer Yoke	24	76086	1	Pressure Plate
9	50060375	1	Outer Tube	25	44159	8	Capscrew, M10 x 1.5 x 100
10	78786	1	Danger Decal	26	50060377	1	Complete Shield
11	50060376	1	Inner Tube	27	50056403	1	Outer Bearing
12	67085	1	Roll Pin Inner Tube	28	50056404	6	Shield Bolt
13	67086	1	Inner Yoke	29	50056405	1	Inner Bearing
14	76490	1	Slip Clutch Assy. (Items 15-25)	30	78608	1	Danger Decal
15	44154	8	Locknut M10 x 1.5	31	64814	2	Safety Chain
16	76080	8	Spring	32	76274	1	Bush With Grease Fitting



**50050574 DRIVELINE ASSEMBLY**  
**1-3/8" – 6 Spline – 540 RPM, ASAE Size 5**  
**Mfd. by Comer**  
**Used on 327 Cutter (Pull Model)**

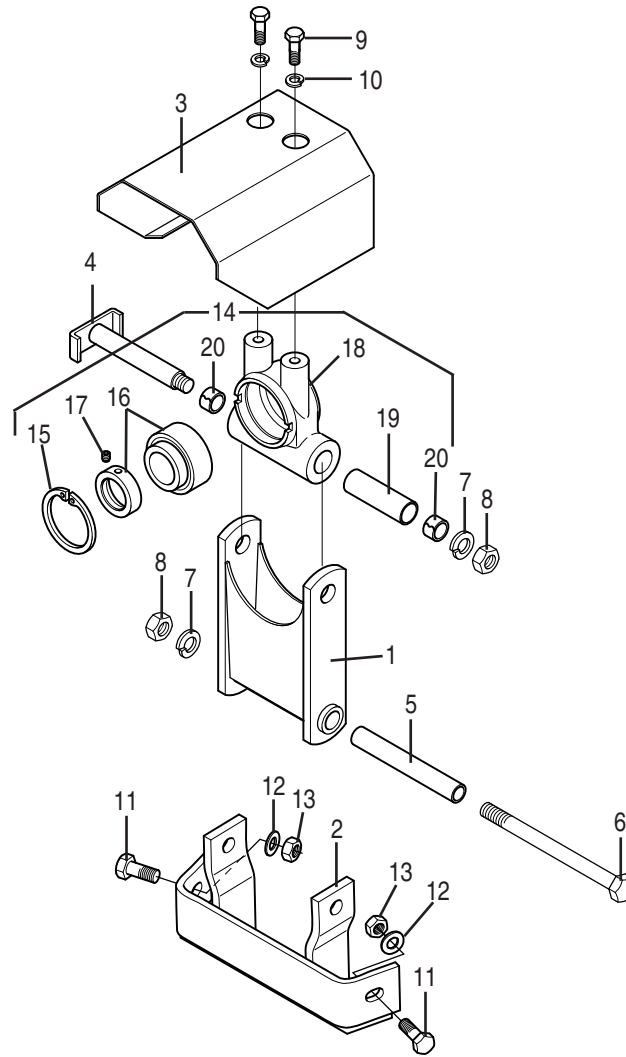
REF. NO.	PART NO.	QTY.	DESCRIPTION
1	76803	1	Complete Collar Yoke
2	76998	2	Cross Journal Set
3	76335	2	Grease Fitting
4	50060386	1	Outer Yoke
5	67108	1	Roll Pin Outer Yoke
6	50060387	1	Inner Tube
7	67085	1	Roll Pin Inner Tube
8	67086	1	Inner Yoke
9	76239	1	Yoke, Complete
10	50056403	1	Outer Bearing
11	50056404	6	Shield Bolt
12	50056405	1	Inner Bearing
13	64814	2	Safety Chain
14	50060388	1	Complete Shield
15	76247	1	Taper Pin Kit
16	78786	1	Danger Decal
17	78608	1	Danger Decal
18	50017480	1	Ball Collar Kit



**5005073 JACKSHAFT ASSEMBLY**  
**1-3/4" – 20 Spline – 540 RPM, ASAE Size 5**  
**Mfd. by Comer**  
**Used on 327 Cutter (Pull Model)**

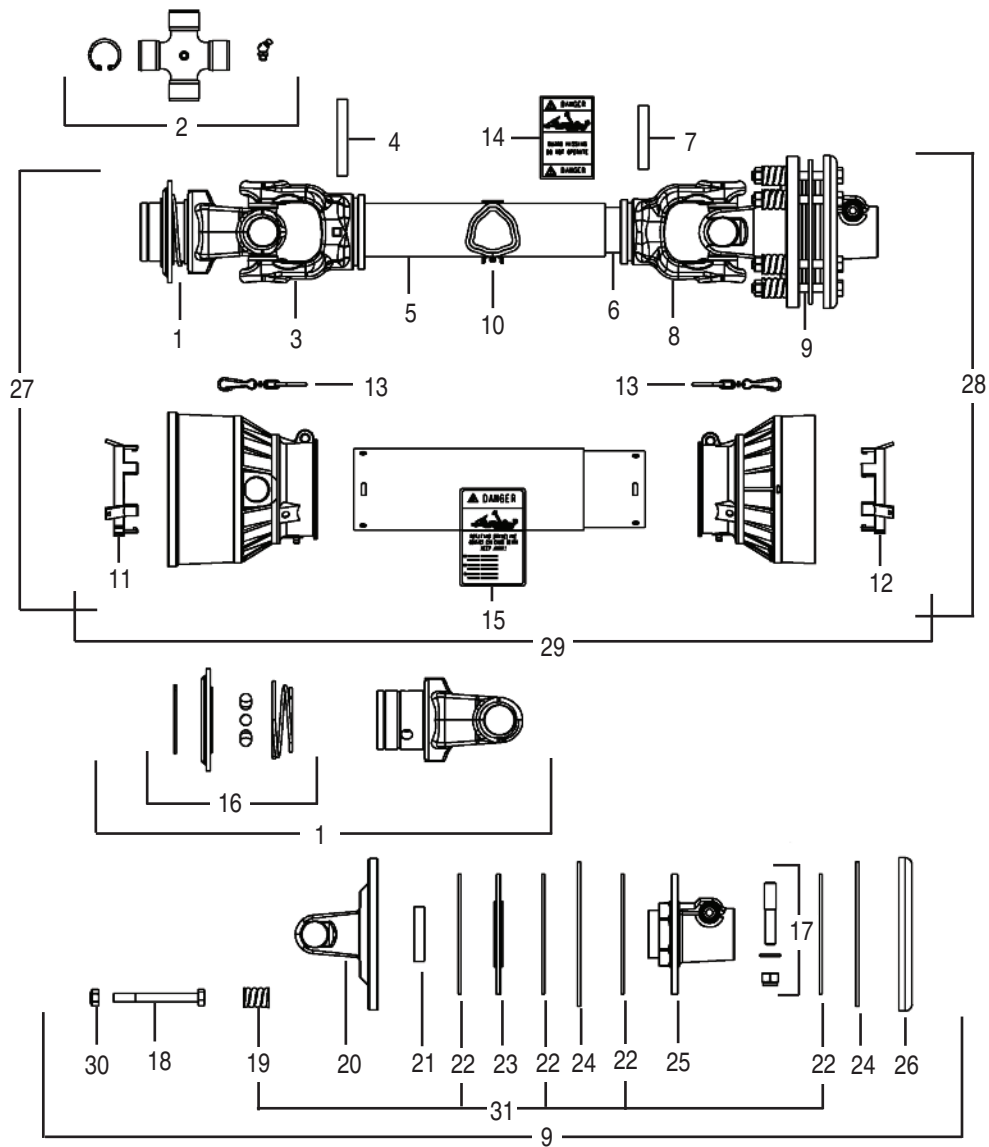
REF. NO.	PART NO.	QTY.	DESCRIPTION	REF. NO.	PART NO.	QTY.	DESCRIPTION
1	76490	1	Slip Clutch Assy. (Items 15-25)	14	76080	8	Spring
2	76998	2	Cross Journal Set	15	44154	8	Locknut M10 x 1.5
3	76335	2	Grease Fitting	16	78134	1	Outer Yoke
4	50060385	1	Complete Shield	17	67108	1	Roll Pin Outer Yoke
5	44159	8	Capscrew, M10 x 1.5 x 100	18	50060383	1	Inner Tube w/ Splined Shaft
6	76086	1	Pressure Plate	19	78786	1	Danger Decal
7	76085	2	Inner Plate	20	50056403	1	Outer Bearing
8	76083	4	Lining	21	50056404	6	Shield Bolt
9	76197	1	Intermediate Plate	22	78608	1	Danger Decal
10	76458	1	Clutch Support	23	50056405	1	Inner Bearing
11	76247	1	Taper Pin Kit	24	64814	2	Safety Chain
12	76082	1	Bushing	25	50060381	1	Outer Tube
13	76331	1	Flanged Yoke	26	76274	1	Bushing w/grease Fitting





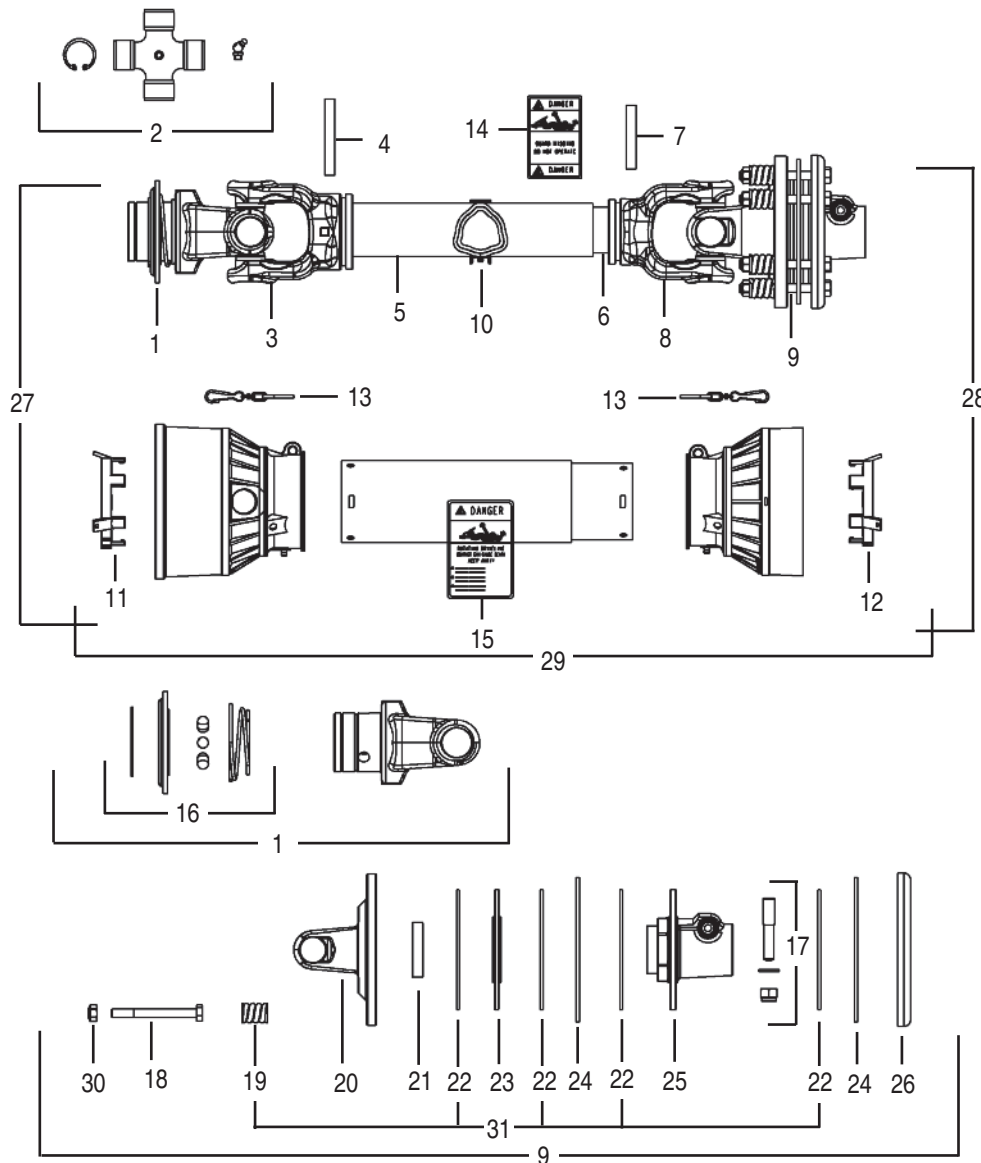
**PILLOW BLOCK BEARING & MOUNT  
327 Pull Model w/ Jackshaft Driveline**

REF. NO.	PART NO.	QTY.	DESCRIPTION
1	87613	1	Spacer Weldment
2	50058606	1	Bearing Support Weldment
3	88100	1	Shield
4	88927	1	Pin Weld.
5	87609	1	Pivot Spacer
6	44182	1	Capscrew 3/4" x 9-1/2" Gr.5
7	—	2	Lockwasher 3/4"
8	20638	2	Locknut 3/4"
9	—	2	Capscrew 1/2" x 1-1/4" Gr.5
10	—	2	Lockwasher 1/2"
11	—	2	Capscrew 5/8" x 1-1/2" Gr.5
12	20748	2	Flatwasher 5/8" SAE
13	15598	2	Locknut 5/8"
14	90986	1	Pillow Block Bearing (15-20)
15	77492	1	Snap Ring
16	77491	1	Bearing w/Collar
17	88840	1	Set Screw
18	90985	1	Bearing Housing
19	90983	1	Spacer
20	88916	2	Tension Bushing



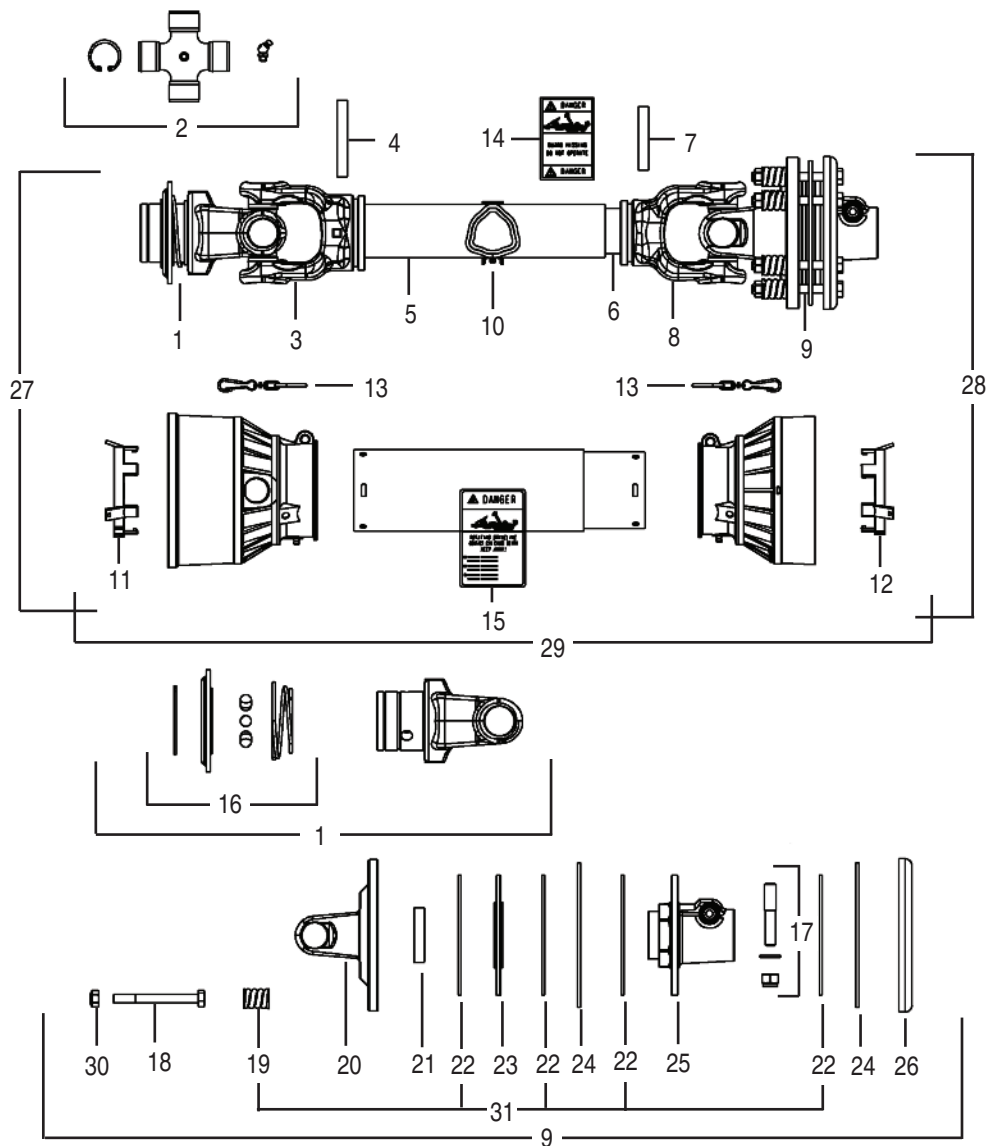
**50050575 DRIVESHAFT ASSEMBLY W/ CLUTCH**  
 1-3/8" – 6 Spline – 540 RPM, ASAE Size 5  
 Mfd. by Bondioli & Pavesi  
 Used on Model 325

REF. NO.	PART NO.	QTY.	DESCRIPTION	REF. NO.	PART NO.	QTY.	DESCRIPTION
1	50063428	1	Yoke 1-3/8" 6 Spline	17	50063434	1	Tapered Pin Kit
2	50063429	2	Cross Kit	18	44159	8	Capscrew M10 x 1.5 x 100 G8.8
3	78134	1	Yoke, Outer Tube	19	64657	8	Coil Spring
4	67108	1	Roll Pin, Outer Tube	20	50063435	1	Flanged Yoke
5	50063430	1	Outer Tube	21	64828	1	Bushing
6	50063431	1	Inner Tube	22	50042344	4	Lining
7	67085	1	Roll Pin, Inner Tube	23	50063436	1	Disc Driving Plate
8	67086	1	Yoke, Inner Tube	24	50063437	2	Inner Plate
9	60063432	1	Complete Clutch	25	50063438	1	Splined Hub
10	86330	1	Grease Fitting	26	64649	1	Pressure Plate
11	68179	1	Shield Support, Outer	27	50063439	1	Female Half Shaft w/ Shield
12	68180	1	Shield Support, Inner	28	50063440	1	Male Half Shaft w/ Shield
13	50063443	2	Shield Chain	29	50063441	1	Complete Shield Kit
14	78786	1	Danger Decal	30	44154	8	Locknut M10
15	78608	1	Danger Decal	31	50063442	1	Torque Limiter Kit
16	50063433	1	Ball Collar Kit 1-3/8"				



**50050576 DRIVESHAFT ASSEMBLY W/ CLUTCH**  
 1-3/8" - 6 Spline - 540 RPM, ASAE Size 5  
 Mfd. by Bondioli & Pavesi  
 Used on Model 326

REF. NO.	PART NO.	QTY.	DESCRIPTION	REF. NO.	PART NO.	QTY.	DESCRIPTION
1	50063428	1	Yoke 1-3/8" 6 Spline	17	50063434	1	Tapered Pin Kit
2	50063429	2	Cross Kit	18	44159	8	Capscrew M10 x 1.5 x 100 G8.8
3	78134	1	Yoke, Outer Tube	19	64657	8	Coil Spring
4	67108	1	Roll Pin, Outer Tube	20	50063435	1	Flanged Yoke
5	50063444	1	Outer Tube	21	64828	1	Bushing
6	50063445	1	Inner Tube	22	50042344	4	Lining
7	67085	1	Roll Pin, Inner Tube	23	50063436	1	Disc Driving Plate
8	67086	1	Yoke, Inner Tube	24	50063437	2	Inner Plate
9	60063432	1	Complete Clutch	25	50063438	1	Splined Hub
10	86330	1	Grease Fitting	26	64649	1	Pressure Plate
11	68179	1	Shield Support, Outer	27	50063446	1	Female Half Shaft w/ Shield
12	68180	1	Shield Support, Inner	28	50063447	1	Male Half Shaft w/ Shield
13	50063443	2	Shield Chain	29	50063448	1	Complete Shield Kit
14	78786	1	Danger Decal	30	44154	8	Locknut M10
15	78608	1	Danger Decal	31	50063442	1	Torque Limiter Kit
16	50063433	1	Ball Collar Kit 1-3/8"				



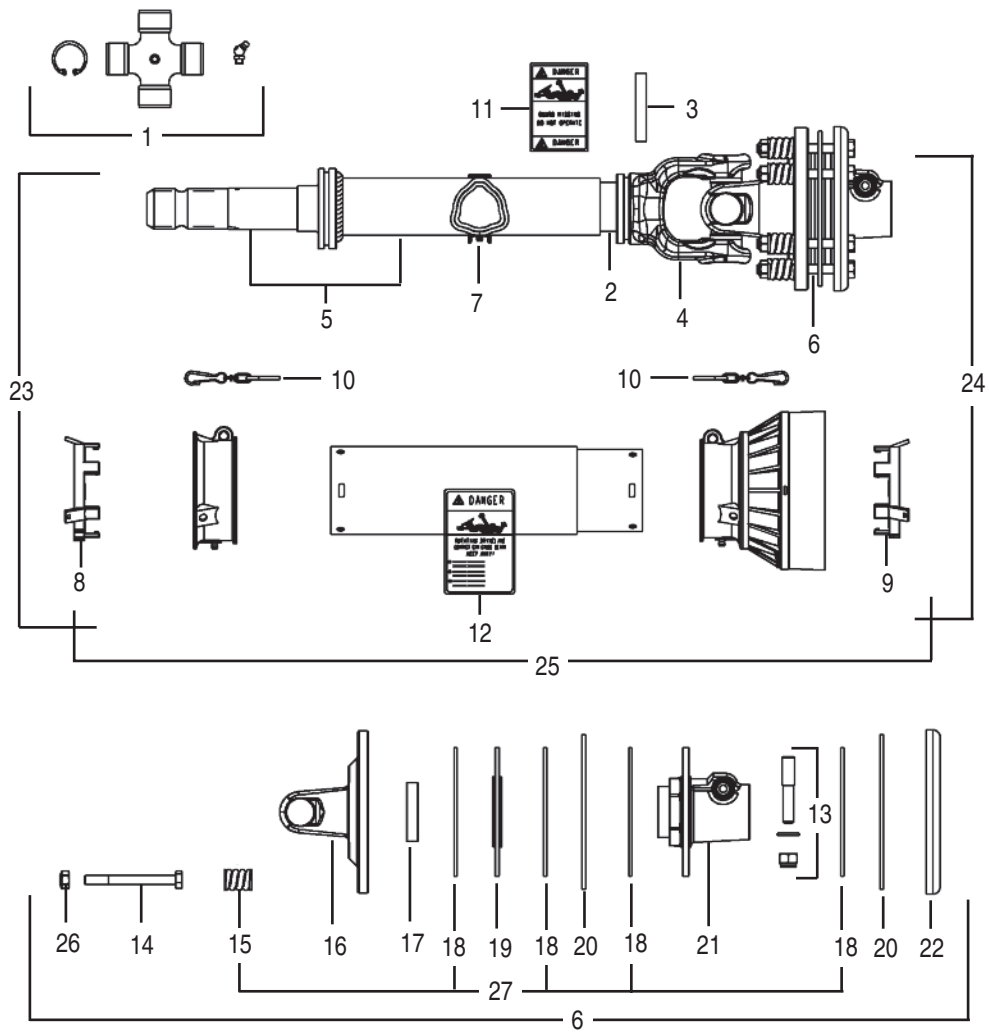
**50050577 DRIVESHAFT ASSEMBLY W/ CLUTCH**

1-3/8" - 6 Spline - 540 RPM, ASAE Size 5

Mfd. by Bondioli & Pavesi

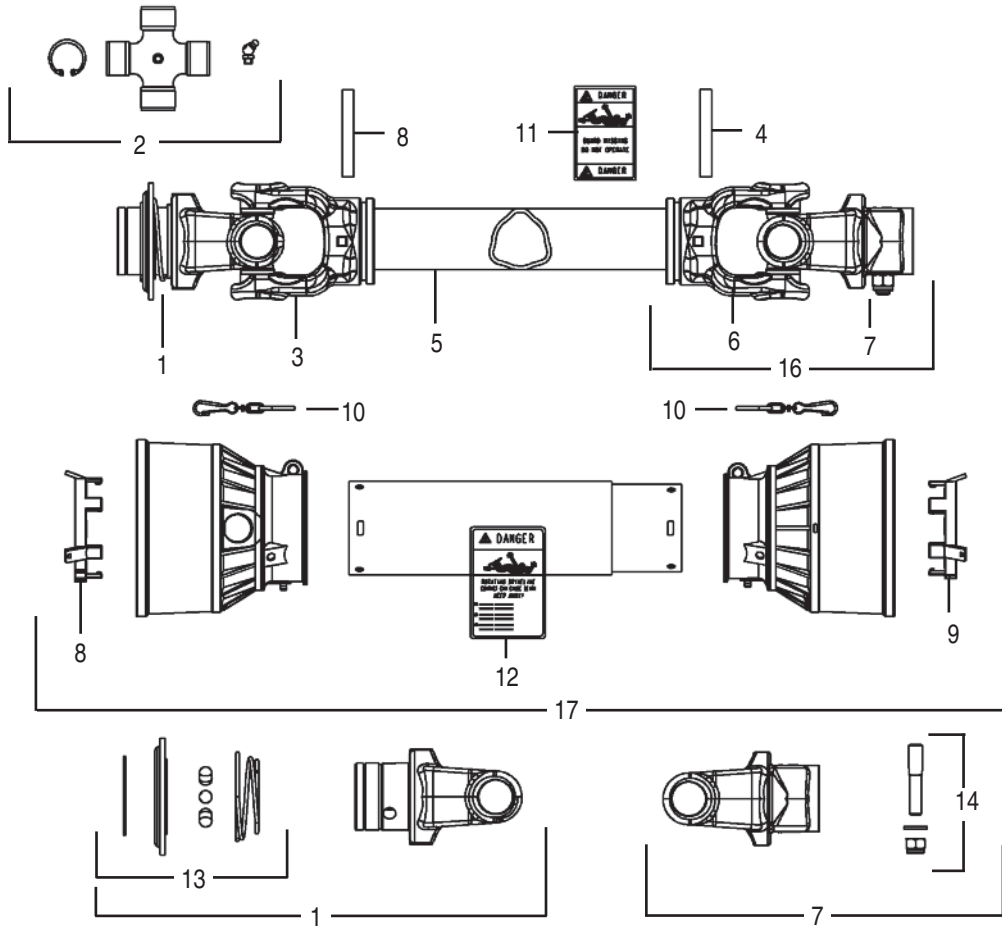
Used on Model 327

REF. NO.	PART NO.	QTY.	DESCRIPTION	REF. NO.	PART NO.	QTY.	DESCRIPTION
1	50063428	1	Yoke 1-3/8" 6 Spline	17	50063434	1	Tapered Pin Kit
2	50063429	2	Cross Kit	18	44159	8	Capscrew M10 x 1.5 x 100 G8.8
3	78134	1	Yoke, Outer Tube	19	64657	8	Coil Spring
4	67108	1	Roll Pin, Outer Tube	20	50063435	1	Flanged Yoke
5	50063449	1	Outer Tube	21	64828	1	Bushing
6	50063450	1	Inner Tube	22	50042344	4	Lining
7	67085	1	Roll Pin, Inner Tube	23	50063436	1	Disc Driving Plate
8	67086	1	Yoke, Inner Tube	24	50063437	2	Inner Plate
9	60063451	1	Complete Clutch	25	50063438	1	Splined Hub
10	86330	1	Grease Fitting	26	64649	1	Pressure Plate
11	68179	1	Shield Support, Outer	27	50063452	1	Female Half Shaft w/ Shield
12	68180	1	Shield Support, Inner	28	50063453	1	Male Half Shaft w/ Shield
13	50063443	2	Shield Chain	29	50063454	1	Complete Shield Kit
14	78786	1	Danger Decal	30	44154	8	Locknut M10
15	78608	1	Danger Decal	31	50063442	1	Torque Limiter Kit
16	50063433	1	Ball Collar Kit 1-3/8"				



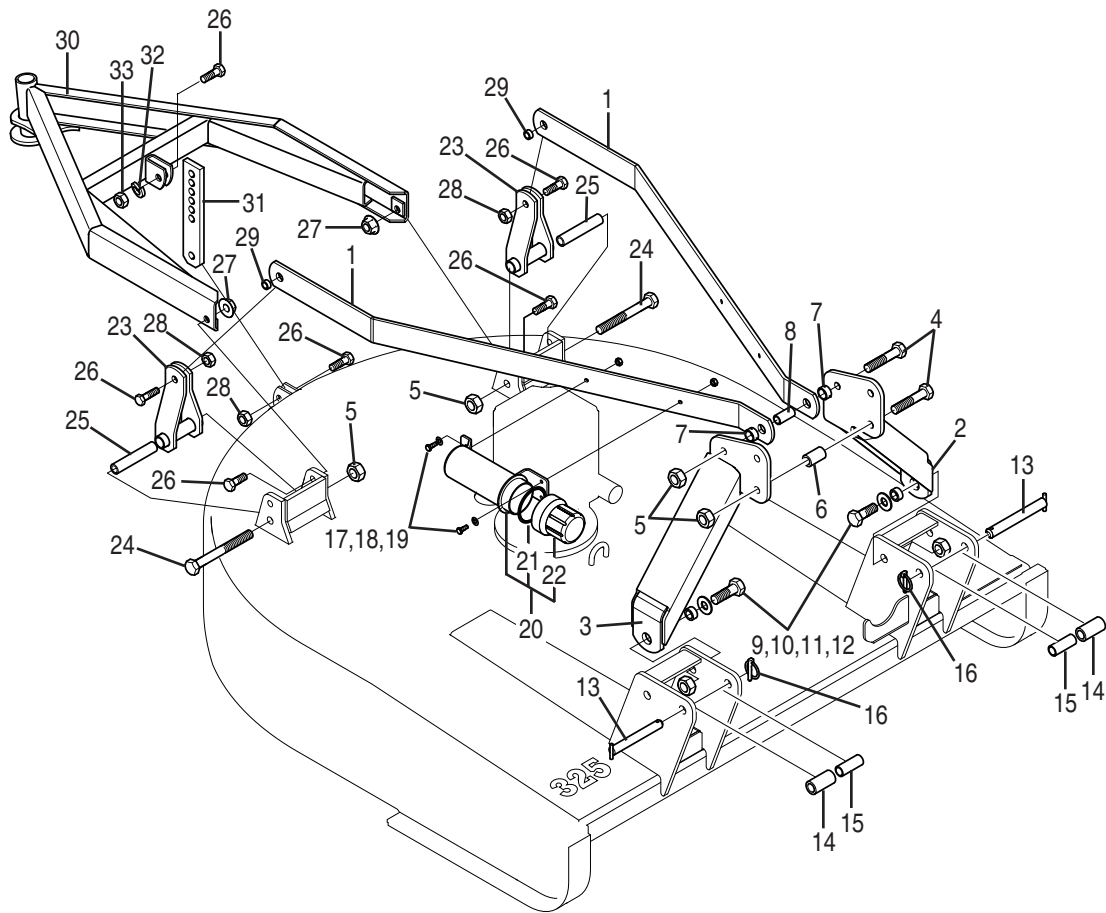
**5005078 JACKSHAFT ASSEMBLY W/ CLUTCH**  
 1-3/4" – 20 Spline – 1000 RPM, ASAE Size 5  
 Mfd. by Bondioli & Pavesi  
 Used on Model 327

REF. NO.	PART NO.	QTY.	DESCRIPTION	REF. NO.	PART NO.	QTY.	DESCRIPTION
1	50063429	2	Cross Kit	15	64657	8	Spring
2	50063455	1	Tube, Inner	16	50063435	1	Flanged Yoke
3	67085	1	Roll Pin, Inner	17	64828	1	Bushing
4	67086	1	Yoke, Inner Tube	18	50042344	4	Lining
5	50063456	1	Tube & Splined Shaft 1-3/4" Z20	19	50063436	1	Disc Driving Plate
6	50063451	1	Complete Clutch	20	50063437	2	Clutch Inner Plate
7	86330	1	Grease Fitting	21	50063438	1	Splined Hub
8	68179	1	Shield Support, Outer	22	64649	1	Clutch Pressure Plate
9	68180	1	Shield Support, Inner	23	50063457	1	Splined Half Shaft w/ Shield
10	50063443	2	Shield Chain	24	50063458	1	Male Half Shaft w/ Shield
11	78786	1	Danger Decal	25	50063459	1	Complete Shield Kit
12	78608	1	Danger Decal	26	44154	8	Locknut M10
13	50063434	1	Tapered Pin Kit	27	50063442	1	Torque Limiter Kit
14	44159	8	Capscrew M10 x 1.5 x 100 G8.8				



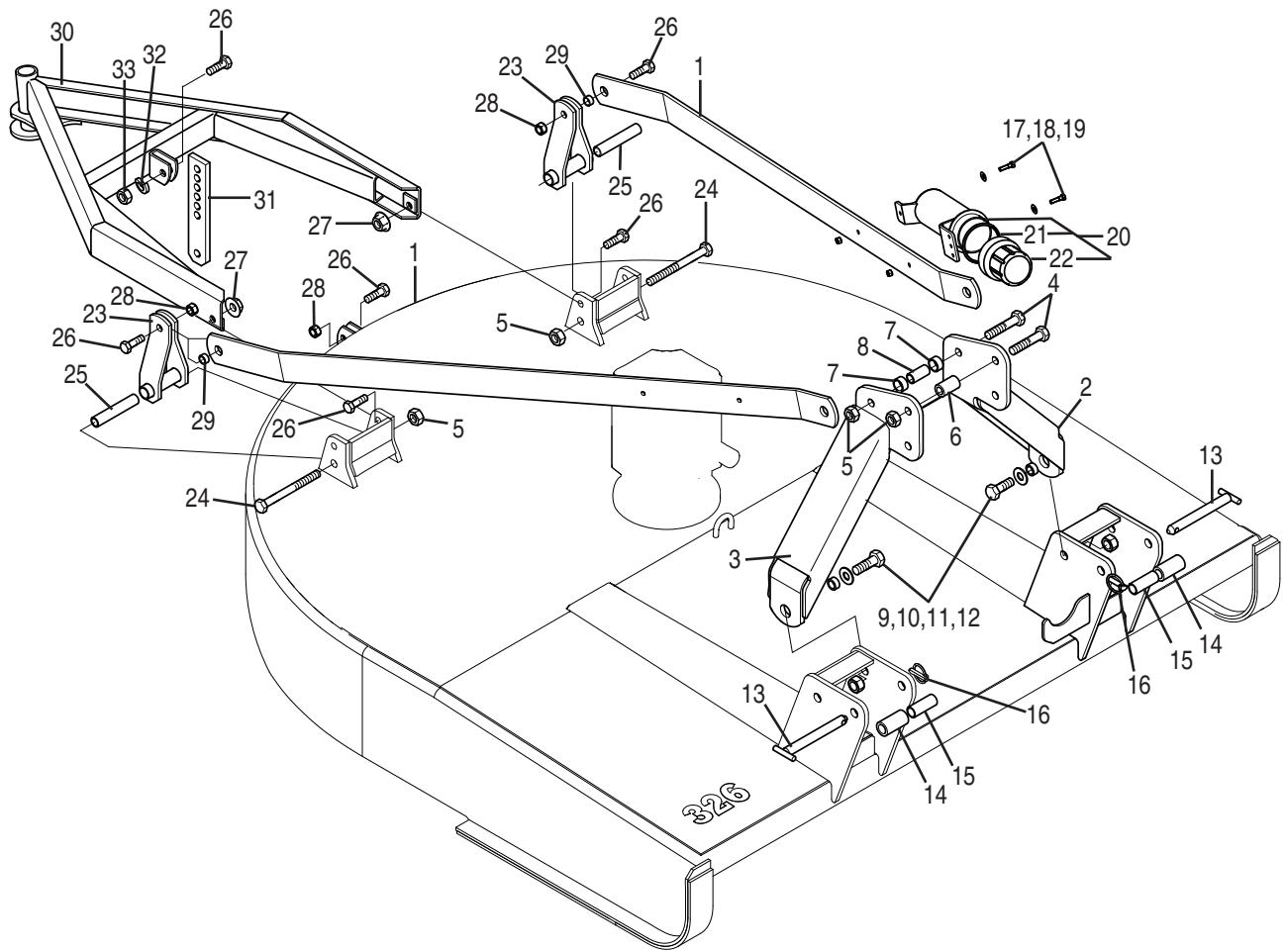
**50050579 DRIVESHAFT ASSEMBLY**  
 1-3/8" – 6 Spline – 540 RPM, ASAE Size 5  
 Mfd. by Bondioli & Pavesi  
 Used on Model 327

REF. NO.	PART NO.	QTY.	DESCRIPTION
1	50063428	1	Yoke 1-3/8" Z6
2	50063429	2	Cross Kit
3	78134	1	Outer Yoke
4	67108	1	Roll Pin, Outer Tube
5	50063460	1	Outer Tube
6	50063461	1	Inner Yoke
7	50063462	1	Yoke w/ Taper Pin
8	68179	1	Shield Support, Outer
9	50063463	1	Shield Support, Inner
10	50063443	2	Shield Chain
11	78786	1	Danger Decal
12	78608	1	Danger Decal
13	50063433	1	Ball Collar Kit
14	50053705	1	Taper Pin Kit
15	50063464	1	Complete Driveshaft, Input End
16	50063465	1	Complete Driveshaft, Output End
17	50063466	1	Complete Shield Kit



**HITCH ASSEMBLY**  
For Model 325 Cutter

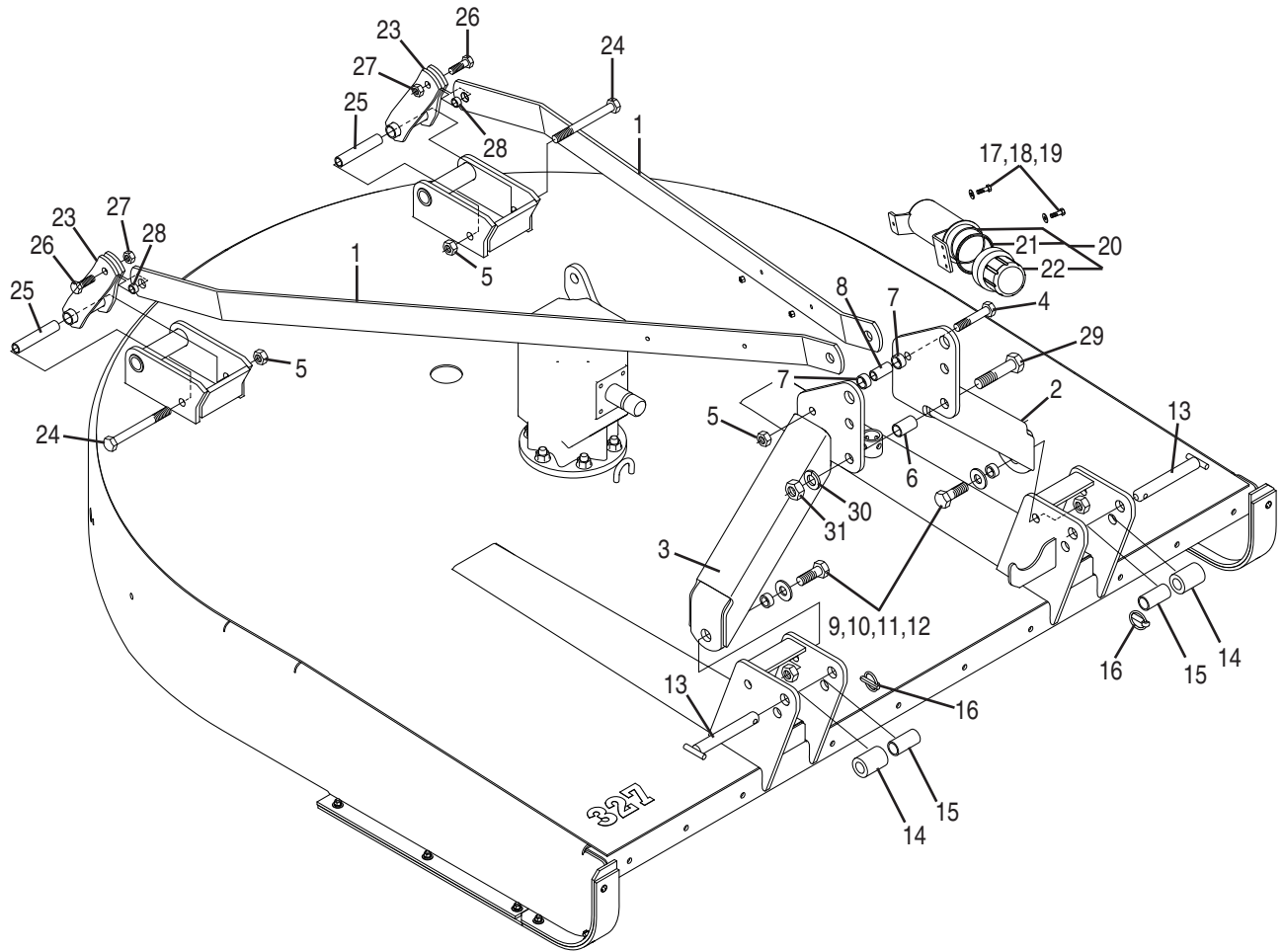
REF. NO.	PART NO.	QTY.	DESCRIPTION	REF. NO.	PART NO.	QTY.	DESCRIPTION
1	50055344	2	Yoke	18	—	2	Flatwasher 5/16"
2	50050620	1	L.H. Mast Weldment	19	15602	2	Locknut 5/16"
3	50050621	1	R.H. Mast Weldment	20	50035829	1	Owner's Manual Tube Assembly
4	—	2	Capscrew 3/4" x 4" Gr.5	21	50035830	1	Seal
5	20638	4	Locknut 3/4"	22	50035831	1	Cap
6	50033665	1	Cat. 1 Quick Hitch Top Bushing	23	50050624	2	Link Weldment
7	50050628	2	Yoke Spacer Bushing	24	20766	2	Capscrew 3/4" x 7-1/2" Gr.5
8	82000	2	Spacer Bushing	25	50050627	2	Link Spacer Bushing
9	—	2	Capscrew 7/8" x 2-1/2" Gr.5	26	—	6	Capscrew 5/8" x 2" Gr.5
10	15922	2	Flatwasher 7/8" SAE	27	20414	2	Locknut 5/8", Fing.
11	50050623	2	Strut Bushing	28	15598	3	Locknut 5/8"
12	44149	2	Locknut 7/8"	29	50050395	2	Yoke Bushing
13	91064	2	Pin Weldment	30	50050612	1	Tailwheel Frame Weldment
14	91061	2	Spacer	31	50050619	1	Adjustment Bar
15	91062	2	Spacer, Cat. 2	32	—	1	Lockwasher 5/8"
16	2850005	2	Klik Pin	33	15563	1	Hex Nut 5/8"
17	—	2	Capscrew 5/16" x 1-1/4"				



**HITCH ASSEMBLY**  
For Model 326 Cutter

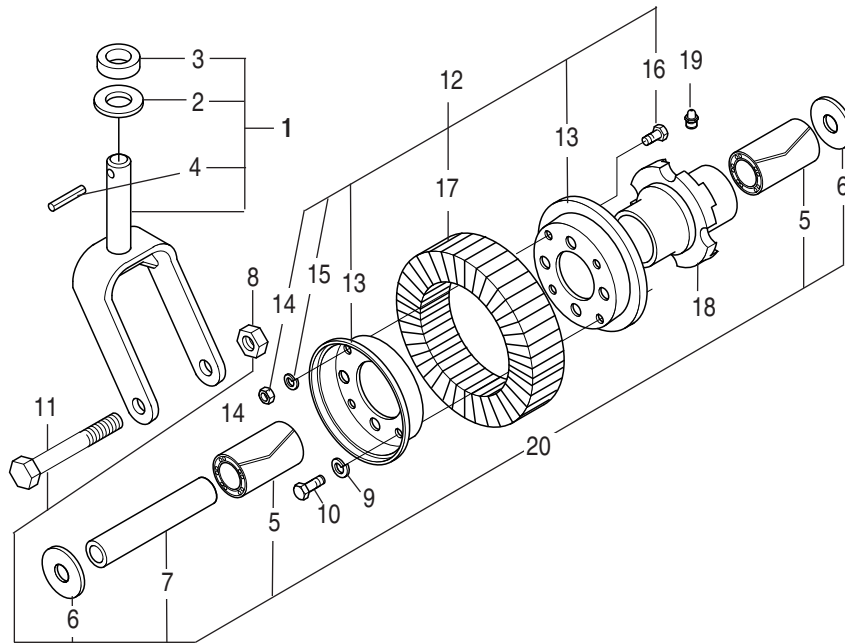
REF. NO.	PART NO.	QTY.	DESCRIPTION	REF. NO.	PART NO.	QTY.	DESCRIPTION
1	50050610	2	Yoke	18	—	2	Flatwasher 5/16"
2	50050620	1	L.H. Mast Weldment	19	15602	2	Locknut 5/16"
3	50050621	1	R.H. Mast Weldment	20	50035829	1	Owner's Manual Tube Assembly
4	—	2	Capscrew 3/4" x 4" Gr.5	21	50035830	1	Seal
5	20638	4	Locknut 3/4"	22	50035831	1	Cap
6	50033665	1	Cat. 1 Quick Hitch Top Bushing	23	50050624	2	Link Weldment
7	50050628	2	Yoke Spacer Bushing	24	20766	2	Capscrew 3/4" x 7-1/2" Gr.5
8	82000	2	Spacer Bushing	25	50050627	2	Link Spacer Bushing
9	—	2	Capscrew 7/8" x 2-1/2" Gr.5	26	—	6	Capscrew 5/8" x 2" Gr.5
10	15922	2	Flatwasher 7/8" SAE	27	20414	2	Locknut 5/8", Flng.
11	50050623	2	Strut Bushing	28	15598	3	Locknut 5/8"
12	44149	2	Locknut 7/8"	29	50050395	2	Yoke Bushing
13	91064	2	Pin Weldment	30	50050612	1	Tailwheel Frame Weldment
14	91061	2	Spacer	31	50050619	1	Adjustment Bar
15	91062	2	Spacer, Cat. 2	32	—	1	Lockwasher 5/8"
16	2850005	2	Klik Pin	33	15563	1	Hex Nut 5/8"
17	—	2	Capscrew 5/16" x 1-1/4"				





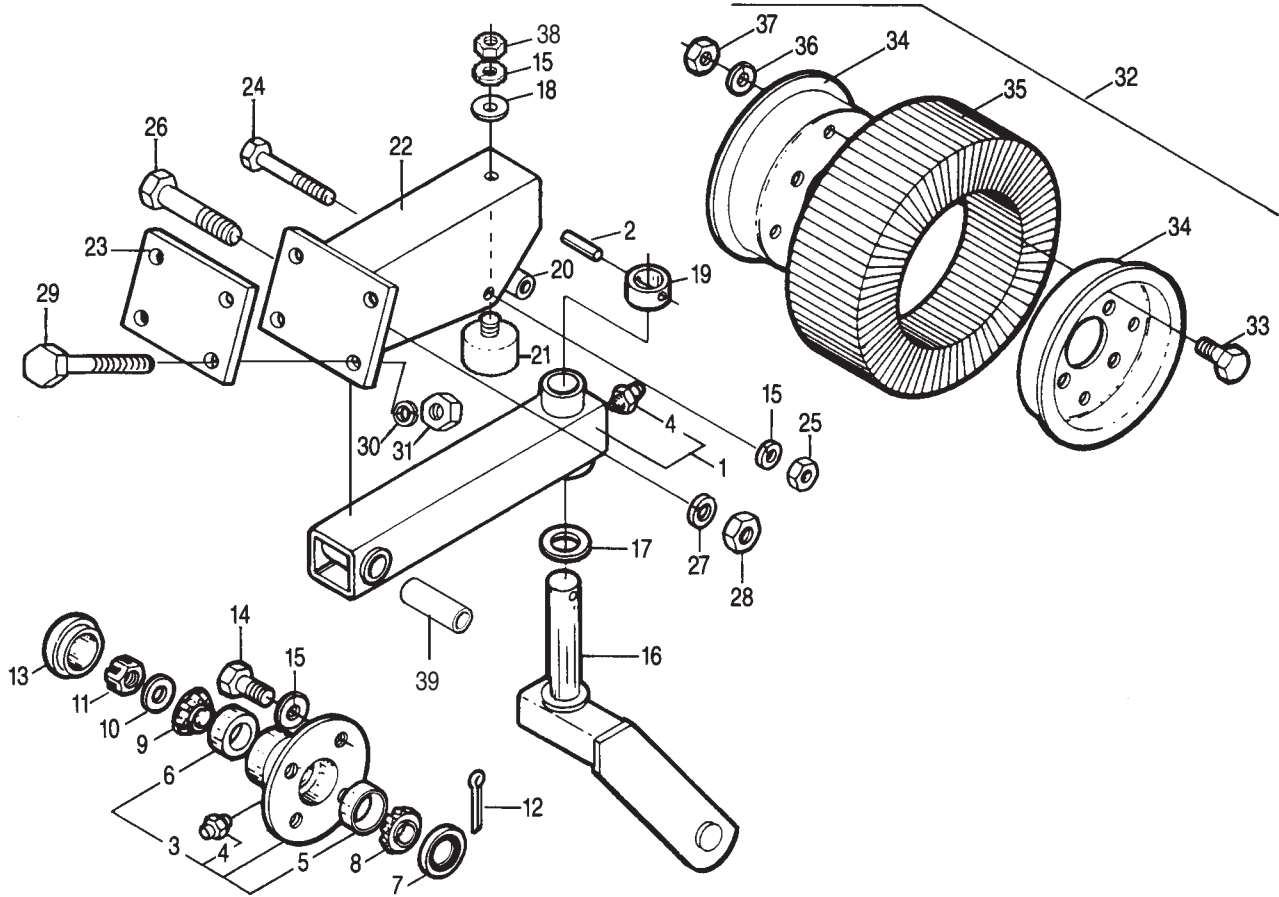
**HITCH ASSEMBLY**  
For Model 327 Cutter

REF. NO.	PART NO.	QTY.	DESCRIPTION	REF. NO.	PART NO.	QTY.	DESCRIPTION
1	50055299	2	Yoke	17	—	2	Capscrew 5/16" x 1-1/4"
2	50055297	1	L.H. Mast Weldment	18	—	2	Flatwasher 5/16"
3	50055298	1	R.H. Mast Weldment	19	15602	2	Locknut 5/16"
4	—	1	Capscrew 3/4" x 4" Gr.5	20	50035829	1	Owner's Manual Tube Assembly
5	20638	3	Locknut 3/4"	21	50035830	1	Seal
6	6404018	1	Bushing (1.03 x 1.25 x 2.06)	22	50035831	1	Cap
7	50050628	2	Yoke Spacer Bushing	23	50050624	2	Link Weldment
8	82000	2	Spacer Bushing	24	20766	2	Capscrew 3/4" x 7-1/2" Gr.5
9	—	2	Capscrew 7/8" x 2-1/2" Gr.5	25	50050627	2	Link Spacer Bushing
10	15922	2	Flatwasher 7/8" SAE	26	—	2	Capscrew 5/8" x 2" Gr.5
11	50050623	2	Strut Bushing	27	15598	2	Locknut 5/8"
12	44149	2	Locknut 7/8"	28	50050395	2	Yoke Bushing
13	6408029	2	Hitch Pin	29	—	1	Capscrew 1" x 4-1/2" Gr.5
14	7604042	2	Bushing (1.145 x 2.0 x 2.69)	30	—	1	Lockwasher 1"
15	7604041	2	Bushing (1.145 x 1.4375 x 2.88)	31	—	1	Hex Nut 1"
16	2850005	2	Klik Pin				



**12269 TAILWHEEL ASSEMBLY**  
Used on 325 & 326 Cutters

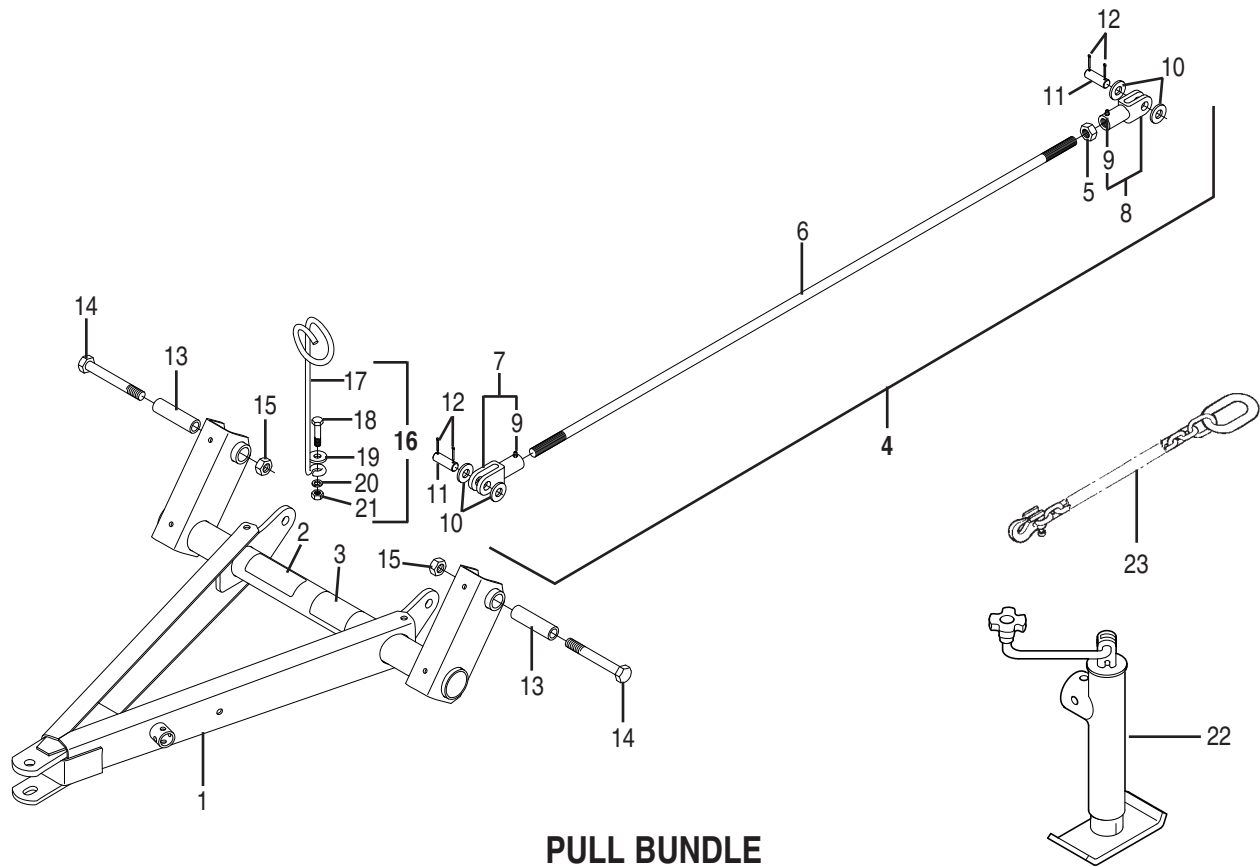
REF. NO.	PART NO.	QTY.	DESCRIPTION
1	94489	1	<b>Fork Assembly</b>
2	11778	1	Flatwasher
3	12262	1	Lock Collar
4	19427	1	Roll Pin
	<b>12834</b>	1	<b>Wheel &amp; Hub Assembly</b>
5	12250	2	Roller Bearings
6	12261	2	Wear Washers
7	12263	1	Spacer Tube
8	20638	1	Locknut 3/4"
9	—	4	Lockwasher 1/2"
10	—	4	Capscrew 1/2" x 1" Gr. 5
11	20946	1	Bolt 3/4" x 8" Gr. 5
12	500	1	<b>Tire Assembly</b>
13	233	2	Wheel Flanges
14	—	4	Nuts 3/8" x 9 UNC
15	—	4	Lockwashers 3/8"
16	—	4	Capscrew 3/8" x 1" Gr. 5
17	56	1	Tire
18	12268	1	<b>Hub Assembly</b>
19	449	1	Grease Fitting
20	88920	1	Bearing Repair Kit



**HEAVY DUTY CASTER ASSEMBLY & RELATED PARTS**  
Used on 327 Lift Models

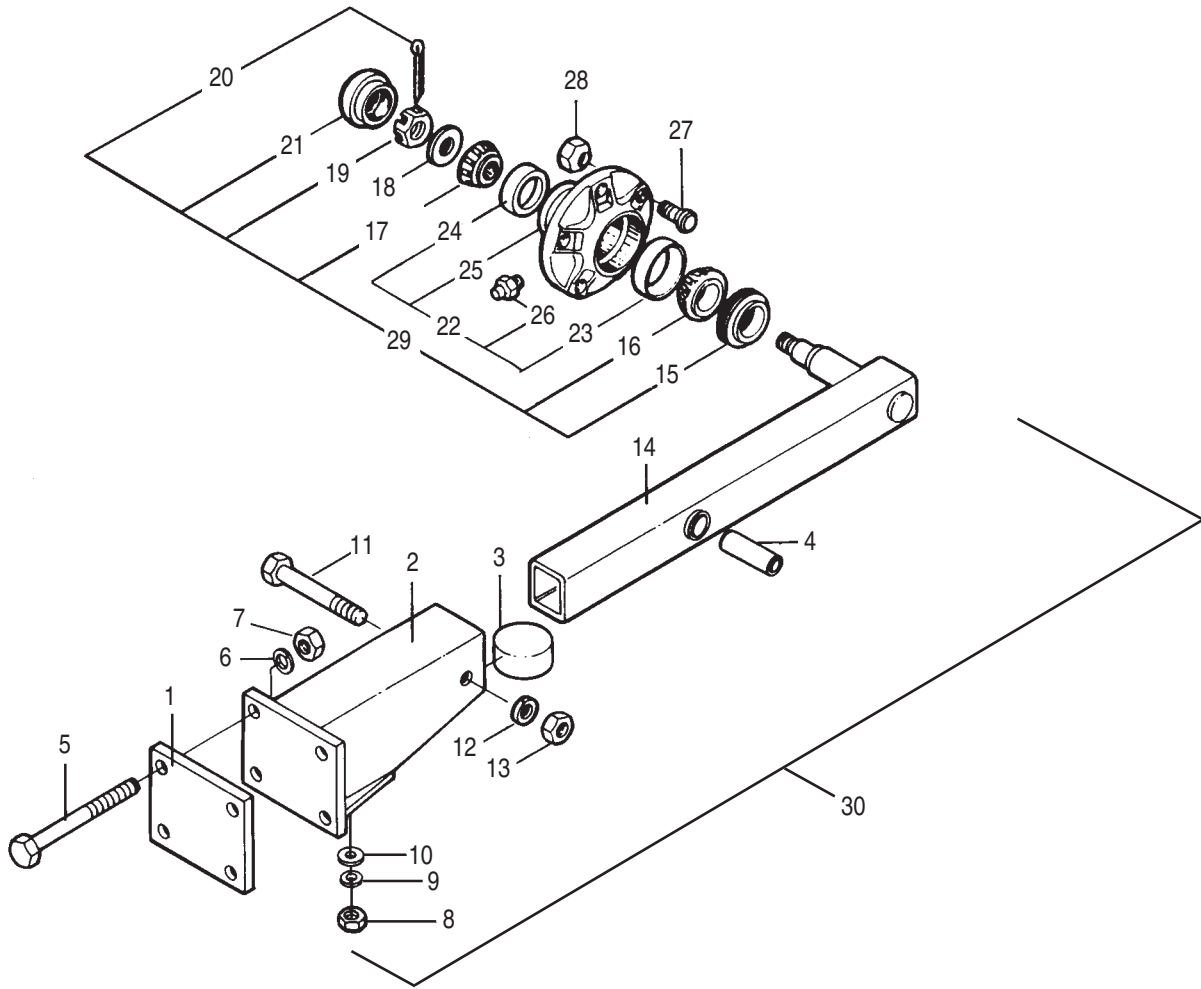
REF. NO.	PART NO.	QTY.	DESCRIPTION	REF. NO.	PART NO.	QTY.	DESCRIPTION
1	88278	1	Lift Arm Weldment	21	91042	1	Sandwich Mount
2	19427	1	Roll Pin	22	88279	1	Mount Weldment
3	50079	1	Hub, 4 Bolt w/ Cups	23	85849	1	Back-up Plate
4	449	2	Grease Fitting	24	—	1	Cap screw 1/2" x 5" Gr.5
5	14-6-197	1	Inner Bearing Cup	25	—	1	Hex Nut 1/2"
6	14-6-198	1	Outer Bearing Cup	26	20272	1	Cap screw 7/8" x 5-1/2" Gr.5
7	50062	1	Seal	27	—	1	Lockwasher 7/8"
8	50076	1	Inner Bearing Cone	28	44149	1	Locknut 7/8"
9	50073	1	Outer Bearing Cone	29	—	4	Cap screw 3/4" x 5-1/2" Gr.5
10	20748	1	Flatwasher 5/8"	30	—	4	Lockwasher 3/4"
11	15183	1	Castle Nut 5/8"	31	—	4	Hex Nut 3/4"
12	15675	1	Cotter Pin	<b>32</b>	<b>500</b>	<b>1</b>	<b>Solid Tire Assy. (Items 33-37)</b>
13	121	1	Hub Cap	33	—	4	Cap screw 3/8" x 1"
14	—	4	Cap screw 1/2" x 1" Gr.5	34	233	2	Wheel Flange
15	—	6	Lockwasher 1/2"	35	56	1	Solid Tire
16	69900	1	Caster Weldment	36	—	4	Lockwasher 3/8"
17	69889	1	Thrust Washer	37	—	4	Hex Nut 3/8"
18	1718	1	Flatwasher	38	—	1	Hex Nut 1/2"
19	12262	1	Lock Collar	39	88272	1	Bushing
20	88280	1	Spacer				





**PULL BUNDLE**  
Used on 327 Pull Models

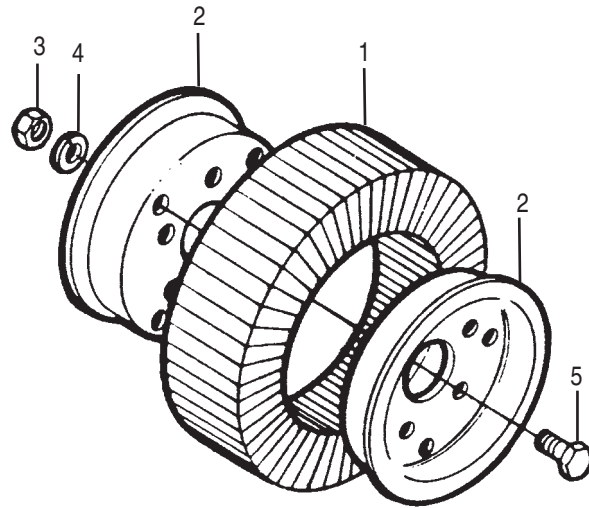
REF. NO.	PART NO.	QTY.	DESCRIPTION
1	50058614	1	Tongue Weldment w/ Decals
2	87340	1	Important Decal
3	87317	1	Drawbar Decal
4	<b>50058598</b>	<b>2</b>	<b>Leveling Rod Assembly (Items 5-12)</b>
5	15612	1	Jamnut 1"
6	50058599	1	Leveling Rod
7	87926	1	Clevis Assembly, L.H.
8	87510	1	Clevis Assembly, R.H.
9	449	2	Grease Fitting
10	—	2	Flatwasher 1"
11	87279	2	Swivel Link Pin
12	—	4	Cotter Pin 3/16" x 1-1/2"
13	82037	2	Drawbar Bushing
14	20503	2	Capscrew 1" x 8"
15	9163200	2	Locknut 1"
16	<b>12032</b>	<b>1</b>	<b>Hose Holder Assy. (Items 17-21)</b>
17	12031	1	Rod, Hose Holder
18	—	1	Capscrew 5/8" x 2"
19	—	1	Flatwasher 5/8"
20	—	1	Lockwasher 5/8"
21	476	4	Hex Nut 5/8", Finished
22	24D25128	1	Jackstand Assembly
23	91091	1	Safety Tow Chain



**AXLE ARM ASSEMBLY**  
For 327 Pull Models

REF. NO.	PART NO.	QTY.	DESCRIPTION	REF. NO.	PART NO.	QTY.	DESCRIPTION
1	85849	1	Back-up Plate	16	50076	A/R	Bearing Cone, Inner
2	88265	1	Axle Arm Mount Weldment	17	50073	A/R	Bearing Cone, Outer
3	91055	1	Sandwich Mount Kit	18	119	A/R	Flatwasher
4	88272	1	Pivot Bushing	19	120	A/R	Slotted Nut
5	19037	4	Capscrew 3/4" x 5-1/2" Gr.5	20	296	A/R	Cotter Pin
6	—	4	Lockwasher 3/4"	21	121	A/R	Hub Cap
7	—	4	Hex Nut 3/4"	22	7977	A/R	Hub Assy.
8	—	1	Hex Nut 1/2"	23	14-6-197	1	Inner Bearing Cup
9	—	1	Lockwasher 1/2"	24	14-6-198	1	Outer Bearing Cup
10	—	1	Flatwasher 1/2"	25	7965	1	Hub Casting
11	20272	1	Capscrew 7/8" x 5-1/2" Gr.5	26	449	1	Grease Fitting
12	—	1	Lockwasher 7/8"	27	15445	5	Hub Bolt 1/2" – 20 UNF x 1-5/8"
13	44149	1	Locknut 7/8"	28	15515	5	Lug Nut 1/2" – 20 UNF
14	88292	1	Single Axle Arm Weldment	29	88921	1	Bearing Repair Kit
15	7967	A/R	Seal	30	50044187	1	H.D. Axle Arm Assembly, L.H. <sup>1</sup>
					50044188	1	H.D. Axle Arm Assembly, R.H. <sup>1</sup>

<sup>1</sup>Axle Arm Assembly (Ref. #30) includes all items listed above except Back-up Plate (Ref. #1) and corresponding fasteners.

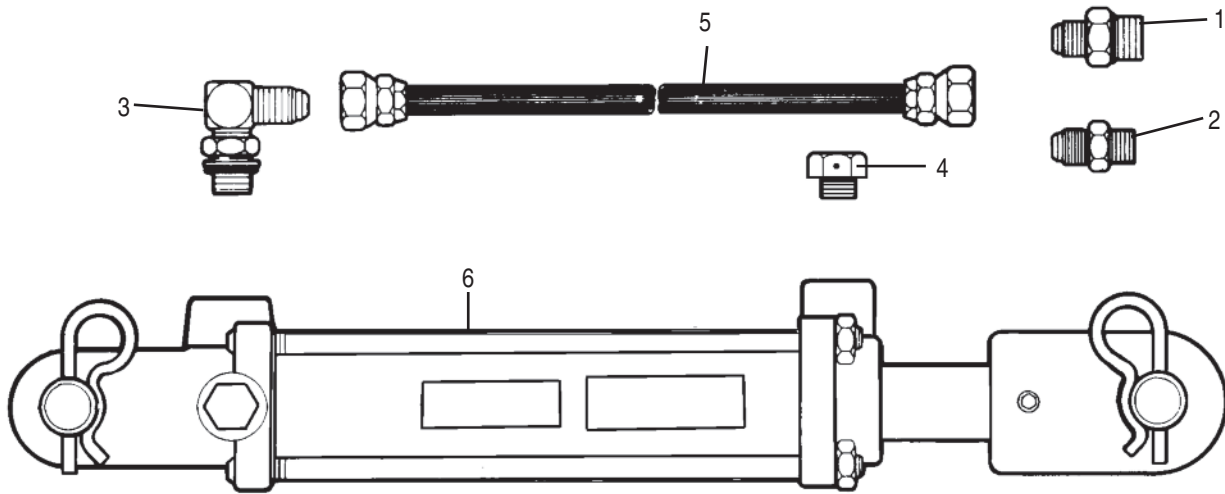


**294 SOLID TIRE ASSEMBLY**

REF. NO.	PART NO.	QTY.	DESCRIPTION
1	116	1	Solid Tire
2	117	2	Wheel Flange
3	15597	5	Nut 3/8" UNF
4	—	5	Lockwasher 3/8"
5	20126	5	Bolt 3/8" x 1" UNF







**64830 HYDRAULIC BUNDLE**

REF. NO.	PART NO.	QTY.	DESCRIPTION
1	53340	1	Adaptor 9/16" JIC to 3/4" SAE
2	24-6-434	1	Adaptor 9/16" JIC to 1/2" NPT
3	14-40-98	1	90° Elbow 3/4" ORB to 9/16" JIC
4	50047240	1	Breather Plug
5	62427	1	Hydraulic Hose 144"
6	50047479	1	Hydraulic Cylinder Assembly (Mfg. Bailey) (2" Bore x 8" Stroke x 1.125 Rod) (3/4" ORB Ports)
	50017620	1	Seal Kit
7	63451	1	Stop Collar Kit



**1817 RATCHET ASSEMBLY**

REF. NO.	PART NO.	QTY.	DESCRIPTION
1	50028265	2	Pin
2	50028264	4	Clip Pin
3	11810	1	Handle
4	15474	1	Cotter Pin

